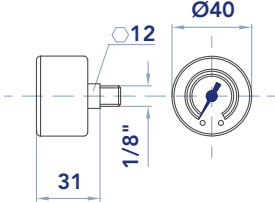
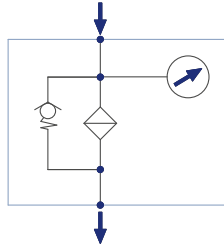
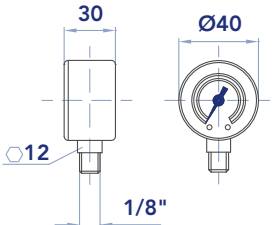
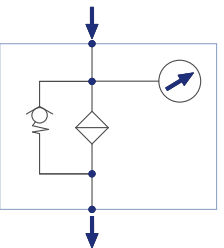
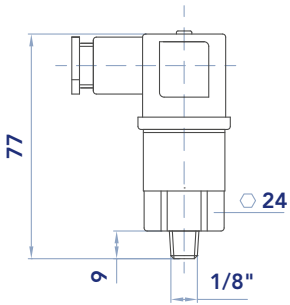
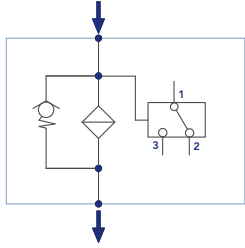


RETURN FILTERS

CLOGGING INDICATORS



INDICATOR SERIE		DESCRIPTION	FOR RETURN FILTERS SERIES
NBR	FKM	Pressure gauge	
30	-	Scale 0÷600 kPa (0÷6 bar)	FRA - FRB - FRC FRF - FRH - GRF  
NBR	FKM	Pressure gauge	
32	-	Scale 0÷600 kPa (0÷6 bar)	FRA - FRB - FRC FRF - FRH - GRF  
NBR	FKM	Pressure switch	
P1	-	Setting 150 kPa (1,5 bar) - SPDT	FRA - FRB FRC - FRH
P2	-	Setting 300 kPa (3 bar) - SPDT	FRF (special version, without bypass valve)
P4	-	Setting 130 kPa (1,3 bar) - SPDT	FRF - GRF
P6	-	Setting 200 kPa (2 bar) - SPDT	FRB
			 <p>ATEX 3 GD EEx e T6</p> 

RETURN FILTERS

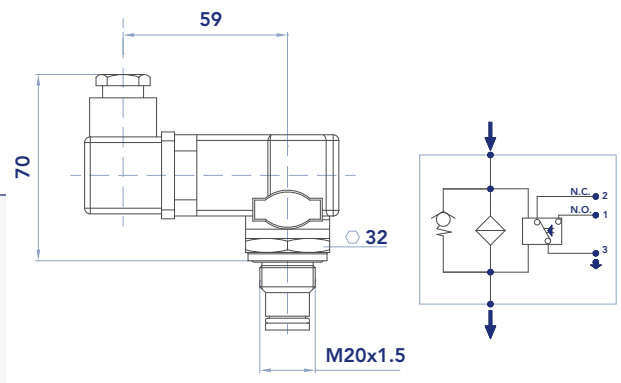
CLOGGING INDICATORS

INDICATOR SERIE DESCRIPTION FOR RETURN FILTERS SERIES

NBR	FKM	Differential VISUAL indicators	
5B	AB	Setting 130 kPa (1,3 bar)	FRF - GRF
5C	AC	Setting 200 kPa (2 bar)	FRD
SPDT differential switch. C.C. 14 - 30 V: > max resistive or inductive load 4 - 3 A respectively C.A. 125-250 V: > max resistive or inductive load 1 A - Protection IP65 - Connector DIN 43650			
NBR	FKM	Differential ELECTRICAL indicators	
6B	CB	Setting 130 kPa (1,3 bar)	FRF - GRF
6C	CC	Setting 200 kPa (2 bar)	FRD
SPDT differential switch. C.C. 14 - 30 V: > max resistive or inductive load 4 - 3 A respectively C.A. 125-250 V: > max resistive or inductive load 1 A - Protection IP65 - Connector DIN 43650			
NBR	FKM	Differential ELECTRICAL indicators with LED (24 V) for visual indication	
7B	EB	Setting 130 kPa (1,3 bar)	FRF - GRF
7C	EC	Setting 2 bar (200 kPa)	FRD - MRH
SPDT differential switch. C.C. 14 - 30 V: > max resistive or inductive load 4 - 3 A respectively C.A. 125-250 V: > max resistive or inductive load 1 A - Protection IP65 - Connector DIN 43650			

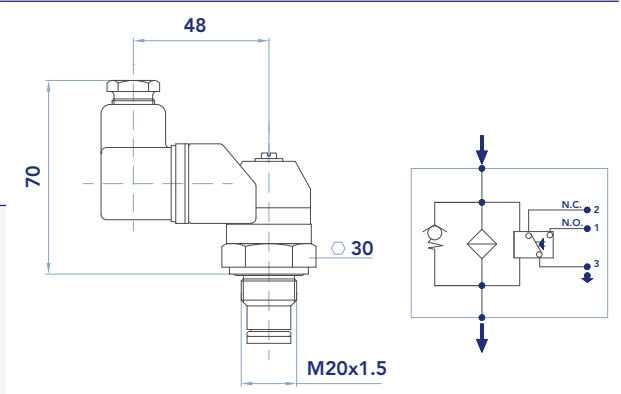
INDICATOR SERIE DESCRIPTION FOR RETURN FILTERS SERIES

NBR	FKM	Differential ELECTRICAL indicators with THERMOSTAT 30° C	
T0	DB	Setting 130 kPa (1,3 bar)	FRF - GRF
T1	DC	Setting 200 kPa (2 bar)	FRD



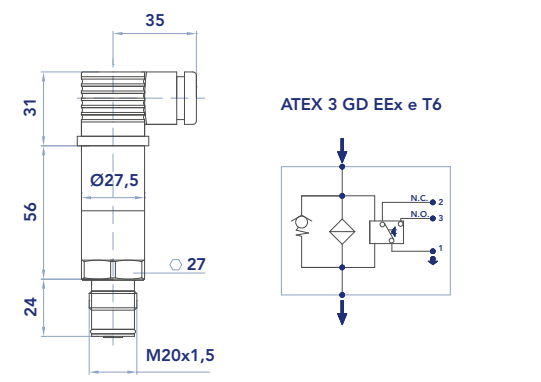
SPDT differential switch. C.C. 14 - 30 V: > max resistive or inductive load 4 - 3 A respectively
 C.A. 125-250 V: > max resistive or inductive load 1 A - Protection IP65 - Connector DIN 43650

NBR	FKM	Differential VISUAL ELECTRICAL indicators	
70	E0	Setting 130 kPa (1,3 bar)	FRF - GRF
71	E1	Setting 200 kPa (2 bar)	FRD



SPDT differential switch. C.C. 14 - 30 V: > max resistive or inductive load 4 - 3 A respectively
 C.A. 125-250 V: > max resistive or inductive load 1 A - Protection IP65 - Connector DIN 43650

NBR	FKM	DIFFERENTIAL ELECTRICAL INDICATORS ATEX	
008.0239.2	-	Setting 130 kPa (1,3 bar)	FRF - GRF
008.0234.2	-	Setting 200 kPa (2 bar)	FRD



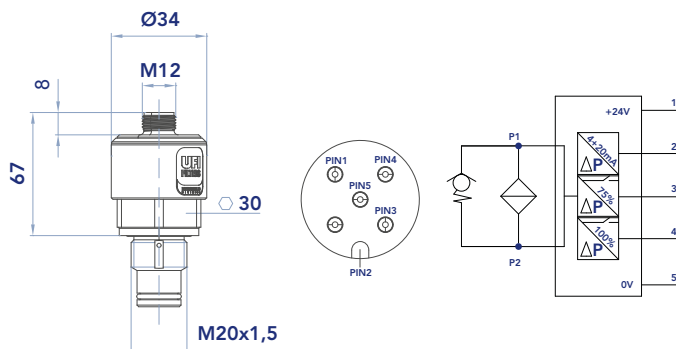
SPDT differential switch. C.C. 14 - 30 V: > max resistive or inductive load 4 - 3 A respectively
 C.A. 125-250 V: > max resistive or inductive load 1 A - Protection IP65 - Connector DIN 43650

RETURN FILTERS

CLOGGING INDICATORS

INDICATOR SERIE DESCRIPTION FOR RETURN FILTERS SERIES

NBR **FKM** **ELECTRONICAL differential pressure clogging indicator**

008.0265.2	-	Setting 150 kPa (75%) - Setting 200kPa (100%) PNP-NO	FRD	
<p>PIN1:24V +/-10%. - PIN2: Analogue output 4-20mA - For input < 25%FS analogue signal output is constant at 4mA - Accuracy at 25°C, for input >25%FS =+/-5%FS max; - PIN3: Digital output 1 calibrated at 1,5bar - PNP - Max Load 0,2A - NO - PIN4: Digital output 2 calibrated at 2,0bar - PNP - Max Load 0,2A - NO - PIN5: 0V - GND Protection IP67 - Connector: M12x5PIN</p>				