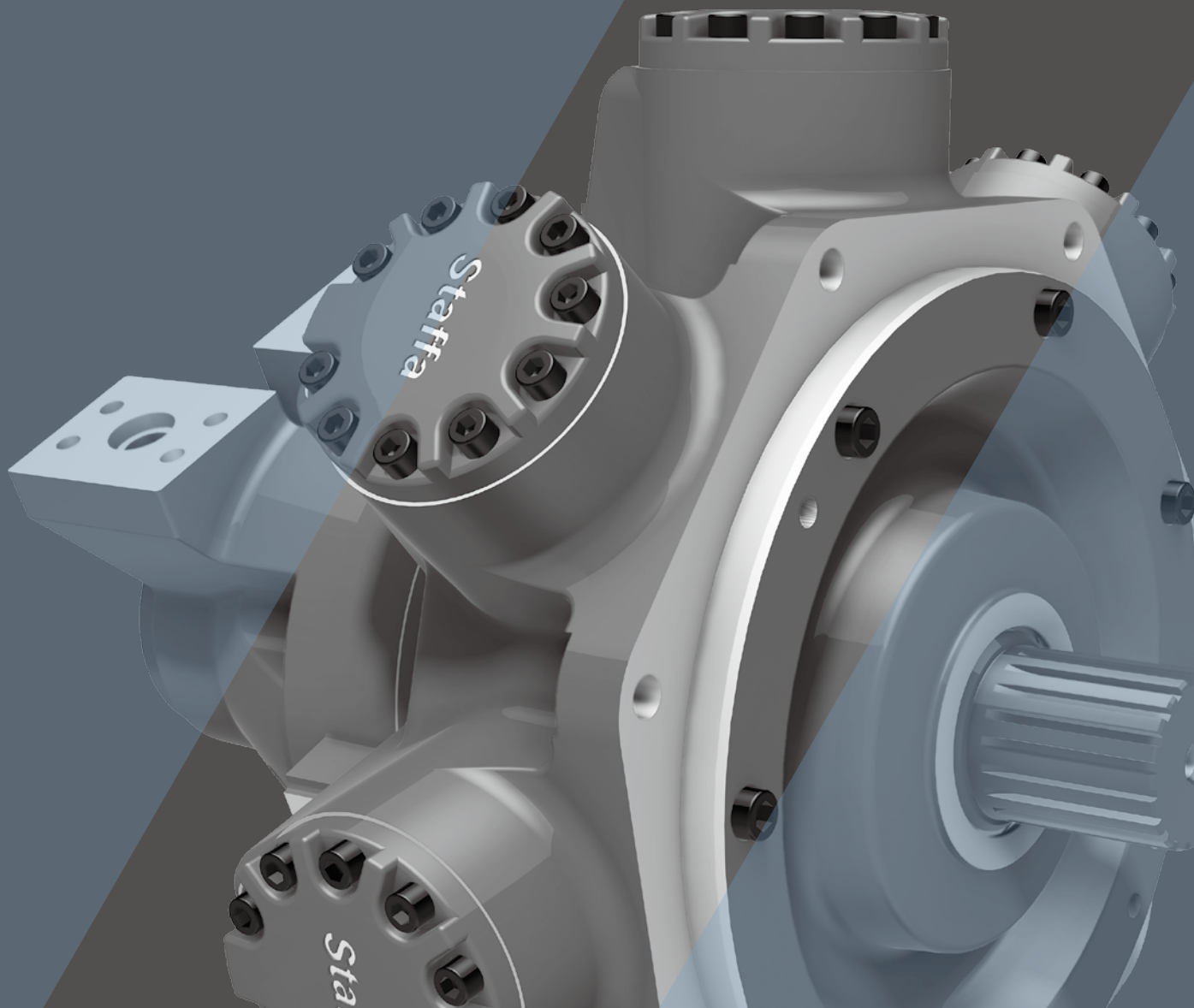


Dual Displacement Radial Piston High Power Staffa Motor HPC Series

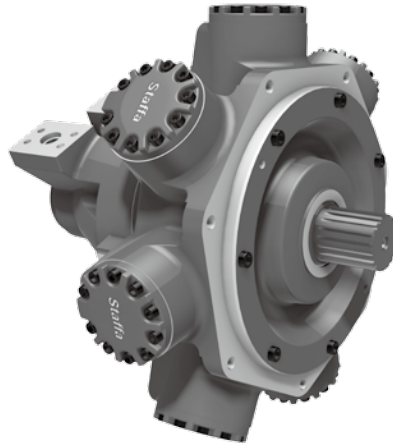


CONTENTS

Specifications and Features	2
1. Ordering Code	
1-1. Model Coding	3
1-2. Shaft Options	4
1-3. Main Port Connection Options	5
2. Technical Information	
2-1. Performance Data	6 - 11
2-2. Volumetric Efficiency Data	12
2-3. Shaft Power Calculations	13
2-4. Functional Symbols	14
2-5. Shaft Stress Limits	15
2-6. Bearing Life Notes	16
2-7. Circuit and Application Notes	17 - 19
2-8. Crankcase Flushing Flow	20
2-9. Motor Operation at Low Temperatures	21
2-10. Crankcase Drain Connections	22
2-11. Freewheeling Notes	23
2-12. Installation Data	24
3. Dimensions	
3-1. HPC080 Installation	25 - 31
3-2. HPC125 Installation	32 - 38
3-3. HPC200 Installation	39 - 45
3-4. HPC270 Installation	46 - 50
3-5. HPC325 Installation	51 - 55
3-6. Speed Sensing Options	56

HPC Series

Dual Displacement Radial Staffa Motor



■ General Descriptions

The enhanced version of the standard C series motor includes special low friction components combined with crankcase flushing flow to achieve increased shaft power.

The range of HP motors extends from the HPC080 of 1,600 cc/rev to the HPC325 of 5326 cc/rev. There are 5 frame sizes in this product range for performance details see table below;

Motor Type	Max. torque @ 275 bar (Nm)	Continuous shaft power with flushing (kW)	Continuous shaft power without flushing (kW)
HPC080	6,630	165	138
HPC125	8,470	202	135
HPC200	12,980	261	174
HPC270	19,280	278	189
HPC325	22,440	278	189

Kawasaki "Staffa" high torque, low speed radial piston motors use hydrostatic balancing techniques to achieve high efficiency, combined with good breakout torque and smooth running capability.

The HPC series dual displacement models have two pre-set displacements which can be chosen from a wide range to suit specific application requirements. The displacements are hydraulically selected by a directional control valve which can be remote mounted or directly on the motor. Motor displacement can be changed with ease when the motor is running.

These motors are also available in a continuously variable version using either hydro-mechanical or electrohydraulic control methods.

Other mounting options are available on request to match many of the competitor interfaces.

■ Features

Enhanced Power Performance

Increased Speed

Improved Starting and Running Efficiency

Increased Back Pressure Capability

Speed Sensing Options

High Torques at Low Speed

Smooth Running

Wide Range of Displacements to suit specific applications

Displacement Changes with ease when the motor is running

Various Mounting Options available

1

Ordering Code

1-1 Model Coding

F11/HP/C125/S/V/125/70/FM3/CS/Tj/70/PL****

Fluid Type

(refer to page 6 for performance data)

Blank	Mineral oil
F3	Phosphate ester (HFD fluid)
F11	Water-based fluids (HFA, HFB & HFC)
Alternative fluids contact KPM UK Nominate fluid type and make on order	

Model Type

HP	High Power
----	------------

Motor Frame Size

C080	C200	C325
C125	C270	

Shaft Type

See shaft type option list on Page 4

Shaft

Vertically up

High Displacement Code

See displacement code details on pages 7 to 11

Low Displacement Code

See displacement code details on pages 7 to 11

Main Port Connections

See port connection details on page 5

Displacement Control Ports (pages 56)

Threaded ports/bi-directional shaft rotation:

X	X and Y ports G¼" (BSPF to ISO 228/1)
---	---------------------------------------

ISO 4401 size 03 mounting face/bi-directional shaft rotation:

C	No shuttle
CS	With shuttle valve (see options by product type).

ISO 4401 size 03 mounting face/uni-directional shaft rotation (viewed on shaft end)

Additional Control Options

PL****:	Non-catalogued features, (****)= number assigned as required.
eg: High pressure shaft seals. Alternative port connections. Stainless steel shaft sleeves. Alternative encoder and tacho drives. Motor valve housing orientation. Special paint.	

Design Series Number

Tacho Encoder Drive

Blank	None
Tj	Square wave output with directional signal
Tk	Combines Tj with the T401 instrument to give a 4 to 20 mA output proportional to speed. Directional signal and speed relay output

● See page 56

1-2 Shaft Options

◆ Product type

HPC080

P	=	Parallel keyed 60 mm Diameter Shaft
S	=	Splined shaft 14 teeth BS3550
Z	=	Splined shaft DIN5480 (W70x3x22x7h)
T	=	Long taper keyed shaft - 95.2 key slot

HPC125 & HPC200

P1	=	Parallel keyed 85 mm Diameter Shaft
S3	=	Splined shaft 20 teeth BS3550
S4	=	Splined shaft 16 teeth BS3550
Z3	=	Splined shaft DIN5480 (W85x3x27x7h)
T	=	ong taper keyed shaft - 133.4 key slot

HPC270 & HPC325

P1	=	Parallel keyed 85 mm Diameter Shaft
S3	=	Splined shaft 20 teeth BS3550
Z4	=	Splined shaft DIN5480 (W90x4x21x7h)
T	=	Long taper keyed shaft - 133.4 key slot

[Note]

For installations where the shaft is vertically upwards specify "V" after the shaft type designator so as to ensure that an additional high level drain port is provided within the front cover of the motor.

1-3 Main Port Connections Options

◆ Product type

HPC080

S03	=	Staffa 3" 6-bolt flange
S04	=	6-bolt UNF flange Staffa original valve housing
F3	=	1¼" SAE 4-bolt flange
FM3	=	1¼" SAE 4-bolt flange
F4	=	SAE 1½" 4-bolt UNC flanges
FM4	=	SAE 1½" 4-bolt metric flanges

HPC125

S03	=	Staffa 3" 6-bolt flange
S04	=	6-bolt UNF flange Staffa original valve housing
F3	=	1¼" 3000 series SAE 4-bolt flange
FM3	=	1¼" 3000 series SAE 4-bolt flange
F4	=	SAE 1½" 4-bolt UNC flanges
FM4	=	SAE 1½" 4-bolt metric flanges

HPC200

S03	=	Staffa 3" 6-bolt flange
S04	=	6-bolt UNF flange Staffa original valve housing
F3	=	1¼" SAE code 61 4-bolt flange
FM3	=	1¼" SAE code 61 4-bolt flange
F4	=	SAE 1½" 4-bolt UNC flanges
FM4	=	SAE 1½" 4-bolt metric flanges

HPC270

S04	=	Staffa 4" 6-bolt flange
F4	=	1½" SAE code 62 4-bolt flange
FM4	=	1½" SAE code 62 4-bolt flange

HPC325

S04	=	Staffa 4" 6-bolt flange
F4	=	1½" SAE code 62 4-bolt flange
FM4	=	1½" SAE code 62 4-bolt flange

See pages 25 to 55 for full dimensional details.

2 Technical Information

2-1 Performance Data

Performance data is valid for the range of HMC motors when fully run-in and operating with mineral oil.

The appropriate motor displacements can be selected using performance data shown on pages 7 to 11. Refer to the table on this page for pressures and speed limits when using fire-resistant fluids.

◆ Limits for fire resistant fluids

Fluid Type	Continuous Pressure (bar)	Intermittent Pressure (bar)	Max speed (rpm)	Model Type
HFA 5/95 oil-in-water emulsion	130	138	50% of limits of mineral oil	All models
HFB 60/40 water-in-oil emulsion	138	172	As for mineral oil	All models
HFC water glycol	103	138	50% of limits of mineral oil	All models
HFD phosphate ester	250	275	As for mineral oil	All models

Specify make and type of fluid on your order if other than mineral oil.

◆ Rating definitions

Continuous rating

The motor must be operated within each of the maximum values for speed, pressure and power.

Intermittent rating

Intermittent max pressure: 275 bar.

This pressure is allowable on the following basis:

- a) Up to 50 rpm 15% duty for periods up to 5 minutes maximum.
- b) Over 50 rpm 2% duty for periods up to 30 seconds maximum.

Static pressure to DNV rules 380 bar.

2-1 Performance Data (cont)

◆ HPC080 Motor (Crankcase flushing required)

Displacement Code		97.6	90	85	80	75	70	65	60	55	50
Displacement	cc/rev	1,600	1,475	1,393	1,311	1,229	1,147	1065	983	901	819
Average actual running torque	Nm/bar	24.1	22.2	20.9	19.7	18.4	17.1	15.9	14.6	13.2	11.9
Average actual mechanical efficiency	%	94.5	94.5	94.3	94.2	94.0	93.8	93.5	93.0	92.2	91.5
Average actual start torque	Nm/bar	22.0	20.1	18.8	17.6	16.3	15.1	13.9	12.6	11.2	9.9
Average actual starting efficiency	%	86.2	85.7	84.9	84.1	83.4	82.6	81.5	80.1	78.2	75.8
Max continuous speed (SO3/F3/FM3)	rpm	270	300	320	340	365	390	420	450	475	500
Max continuous speed (SO4/F4/FM4)	rpm	365	400	415	430	445	460	475	490	500	515
Max continuous power	kW	165	157	152	147	145	140	134	131	125	120
Max intermittent power	kW	165	157	152	147	145	140	134	131	125	120
Max continuous pressure	bar	250	250	250	250	250	250	250	250	250	250
Max intermittent pressure	bar	275	275	275	275	275	275	275	275	275	275

Displacement Code		45	40	35	30	25	20	15	10	00
Displacement	cc/rev	737	655	574	492	410	328	246	164	0
Average actual running torque	Nm/bar	10.6	9.3	8.0	6.6	5.3	4.1	2.8	1.6	0
Average actual mechanical efficiency	%	90.4	89.1	87.2	84.8	81.8	77.7	71.0	60.2	0
Average actual start torque	Nm/bar	8.5	7.2	5.9	4.5	3.3	2.0	0.7	/	0
Average actual starting efficiency	%	72.6	68.7	63.8	57.9	50.8	38.0	17.5	/	0
Max continuous speed (SO3/F3/FM3)	rpm	550	600	615	630	630	630	630	630	1,500
Max continuous speed (SO4/F4/FM4)	rpm	530	545	560	575	585	600	615	630	1,500
Max continuous power	kW	113	105	90	73	59	43	30	14	0
Max intermittent power	kW	113	105	90	73	59	43	30	14	0
Max continuous pressure	bar	250	250	250	250	250	250	250	250	17
Max intermittent pressure	bar	275	275	275	275	275	275	275	275	17

Data shown is at 250 bar. Intermediate displacements can be made available to special order.

2-1 Performance Data (cont)

◆ HMC125 Motor (Crankcase flushing required)

Displacement Code		125	120	110	100	90	80	70
Displacement	cc/rev	2,048	1,966	1,02	1,639	1,475	1,311	1,147
Average actual running torque	Nm/bar	30.8	29.5	27.1	24.5	21.8	19.1	16.5
Average actual mechanical efficiency	%	94.5	94.4	94.3	94.0	93.0	91.7	90.3
Average actual start torque	Nm/bar	26.4	25.0	22.5	20.0	17.4	14.7	12.0
Average actual starting efficiency	%	81.0	80.1	78.4	76.6	74.2	70.6	65.4
Max continuous speed (SO3/F3/FM3)	rpm	215	225	240	270	300	340	390
Max continuous speed (SO4/F4/FM4)	rpm	300	310	340	365	400	430	460
Max continuous power	kW	173	173	171	170	157	147	123
Max intermittent power	kW	202	196	183	171	157	147	123
Max continuous pressure	bar	250	250	250	250	250	250	250
Max intermittent pressure	bar	275	275	275	275	275	275	275

Displacement Code		60	50	40	30	20	10	00
Displacement	cc/rev	983	819	655	492	328	164	0
Average actual running torque	Nm/bar	13.8	11.3	8.8	6.4	4.1	0.8	0
Average actual mechanical efficiency	%	88.5	86.5	84.3	81.6	78.0	30.0	0
Average actual start torque	Nm/bar	9.1	6.3	3.2	/	/	/	0
Average actual starting efficiency	%	58.1	48.3	30.6	/	/	/	0
Max continuous speed (SO3/F3/FM3)	rpm	450	500	600	630	630	630	1,500
Max continuous speed (SO4/F4/FM4)	rpm	490	515	545	575	600	630	1,500
Max continuous power	kW	101	86	65	48	30	5	0
Max intermittent power	kW	101	86	65	48	30	5	0
Max continuous pressure	bar	250	250	250	250	250	250	17
Max intermittent pressure	bar	275	275	275	275	275	275	17

Data shown is at 250 bar. Intermediate displacements can be made available to special order.

2-1 Performance Data (cont)

◆ HPC200Motor (Crankcase flushing required)

Displacement Code		188	180	170	160	150	140	130	120	110	100
Displacement	cc/rev	3,087	2,950	2,790	2,620	2,460	2,290	2,130	1,970	1,800	1,639
Average actual running torque	Nm/bar	47.2	45.2	42.6	40.0	37.3	34.7	32.0	29.4	26.7	24.1
Average actual mechanical efficiency	%	96.3	96.2	96.0	95.8	95.4	95.0	94.5	94.0	93.2	92.5
Average actual start torque	Nm/bar	42.6	40.6	38.0	35.5	33.0	30.6	28.0	25.5	22.9	20.2
Average actual starting efficiency	%	87.0	86.4	85.7	85.1	84.5	83.8	82.8	81.5	79.8	77.5
Max continuous speed (SO3/F3/FM3)	rpm	175	180	190	195	200	205	210	225	240	270
Max continuous speed (SO4/F4/FM4)	rpm	230	235	240	245	250	265	285	310	340	365
Max continuous power	kW	216	213	212	204	195	186	176	173	171	170
Max intermittent power	kW	261	261	261	247	234	222	208	196	183	171
Max continuous pressure	bar	250	250	250	250	250	250	250	250	250	250
Max intermittent pressure	bar	275	275	275	275	275	275	275	275	275	275

Displacement Code		90	80	70	60	50	40	30	20	10	00
Displacement	cc/rev	1,475	1,311	1,150	983	820	655	492	328	164	0
Average actual running torque	Nm/bar	21.5	18.9	16.3	13.8	11.3	8.8	6.4	4.2	1.0	0
Average actual mechanical efficiency	%	91.5	90.5	89.4	88.0	86.3	84.5	82.4	80.0	40.0	0
Average actual start torque	Nm/bar	17.5	14.8	12.0	9.4	6.0	3.4	/	/	/	0
Average actual starting efficiency	%	74.5	70.7	65.9	60.1	45.7	33.1	/	/	/	0
Max continuous speed (SO3/F3/FM3)	rpm	300	340	390	450	500	600	630	630	630	1,500
Max continuous speed (SO4/F4/FM4)	rpm	400	430	460	485	515	545	575	600	630	1,500
Max continuous power	kW	157	147	123	101	86	65	48	30	5	0
Max intermittent power	kW	157	147	123	101	86	65	48	30	5	0
Max continuous pressure	bar	250	250	250	250	250	250	250	250	250	17
Max intermittent pressure	bar	275	275	275	275	275	275	275	275	275	17

Data shown is at 250 bar. Intermediate displacements can be made available to special order.

2-1 Performance Data (cont)

◆ HPC270Motor (Crankcase flushing required)

Displacement Code		280	250	220	200	180	160	140	120
Displacement	cc/rev	4,588	4,097	3,605	3,277	2,950	2,622	2,294	1,966
Average actual running torque	Nm/bar	70.1	62.3	54.5	49.3	44.3	39.0	33.8	28.6
Average actual mechanical efficiency	%	96.0	95.6	95.0	94.6	94.3	93.5	92.5	91.5
Average actual start torque	Nm/bar	64.0	56.6	48.9	43.6	38.4	33.2	28.3	23.5
Average actual starting efficiency	%	87.6	86.9	85.2	83.7	81.8	79.7	77.5	75.1
Max continuous speed	rpm	150	160	170	175	210	230	275	310
Max continuous power	kW	278	261	241	225	208	192	174	156
Max continuous pressure	bar	250	250	250	250	250	250	250	250
Max intermittent pressure	bar	275	275	275	275	275	275	275	275

Displacement Code		100	80	60	40	30	20	00
Displacement	cc/rev	1,639	1,311	983	655	492	328	00
Average actual running torque	Nm/bar	23.5	18.4	13.4	8.6	6.3	4.0	0
Average actual mechanical efficiency	%	90.0	88.0	85.5	82.0	80.0	76.0	0
Average actual start torque	Nm/bar	19.0	14.7	9.1	4.3	1.9	/	0
Average actual starting efficiency	%	72.6	70.2	57.8	40.7	23.5	/	0
Max continuous speed	rpm	375	430	460	490	515	545	1,500
Max continuous power	kW	133	109	85	48	39	21	0
Max continuous pressure	bar	250	250	250	250	250	250	17
Max intermittent pressure	bar	275	275	275	275	275	275	17

Data shown is at 250 bar. Intermediate displacements can be made available to special order.

2-1 Performance Data (cont)

◆ HPC325Motor (Crankcase flushing required)

Displacement Code		325	310	300	220	200	180	160	140
Displacement	cc/rev	5,326	5,080	4,916	3,605	3,277	2,950	2,622	2,294
Average actual running torque	Nm/bar	81.6	77.8	75.2	54.5	49.3	44.1	38.8	33.6
Average actual mechanical efficiency	%	96.3	96.2	96.1	95.0	94.6	94.0	93.1	92.1
Average actual start torque	Nm/bar	74.5	71.1	68.7	49.0	43.9	38.8	33.8	28.8
Average actual starting efficiency	%	87.9	87.9	87.8	85.4	84.2	82.8	81.0	78.9
Max continuous speed	rpm	130	135	140	170	190	215	230	275
Max continuous power	kW	278	278	278	241	225	208	192	174
Max continuous pressure	bar	250	250	250	250	250	250	250	250
Max intermittent pressure	bar	275	275	275	275	275	275	275	275

Displacement Code		120	100	95	80	60	40	30	00
Displacement	cc/rev	1,966	1,639	1,557	1,311	983	655	492	0
Average actual running torque	Nm/bar	28.5	23.3	22.0	18.2	13.2	8.5	6.3	0
Average actual mechanical efficiency	%	91.0	89.2	88.8	87.2	84.6	81.6	80.0	0
Average actual start torque	Nm/bar	24.0	19.3	18.1	14.8	9.0	4.2	1.9	0
Average actual starting efficiency	%	76.5	73.8	73.0	70.7	57.8	40.7	23.5	0
Max continuous speed	rpm	330	370	405	440	460	495	515	1500
Max continuous power	kW	156	133	127	110	86	48	39	0
Max continuous pressure	bar	250	250	250	250	250	250	250	17
Max intermittent pressure	bar	275	275	275	275	275	275	275	17

Data shown is at 250 bar. Intermediate displacements can be made available to special order.

2-2 Volumetric Efficiency Data

Motor Type	Geometric Displacement	Zero Speed Constant	Speed Constant	Creep Speed Constant	Crankcase Leakage Constant	Fluid Viscosity	Viscosity Factor
HPC	cc/rev	K ₁	K ₂	K ₃	K ₄	cSt	K _v
HPC080	1,639	9.5	45.7	5.8	7.9	20	1.58
HPC125	2,048	6.1	38.5	3	4.25	25	1.44
HPC200	3,087	6.1	38.5	2	4.25	30	1.30
HPC270	4,310	6.5	37.3	1.5	6	40	1.10
HPC325	5,210	6.8	40	1.3	6	50	1.00
						60	0.88

$$\mathbf{Q_t \text{ (total leakage)}} = [K_1 + n/K_2] \times \Delta P \times K_v \times 0.005 \quad \text{l/min}$$

$$\mathbf{Creep speed} = K_3 \times \Delta P \times K_v \times 0.005 \quad \text{rpm}$$

$$\mathbf{Crankcase leakage} = K_4 \times \Delta P \times K_v \times 0.005 \quad \text{l/min}$$

$$\mathbf{\Delta P} = \text{differential pressure} \quad \text{bar}$$

$$\mathbf{n} = \text{speed} \quad \text{rpm}$$

The motor volumetric efficiency can be calculated as follows:

$$\text{Volumetric efficiency (\%)} = \left[\frac{(\text{speed} \times \text{disp.})}{(\text{speed} \times \text{disp.}) + Q_t} \right] \times 100$$

Example:

HPC200 motor with displacement of 3.087 l/rev.

Speed 60 rpm

Differential pressure 200 bar

Fluid viscosity 50 cSt

$$\begin{aligned} \mathbf{Total \ leakage} &= (K_1 + n/K_2) \times \Delta P \times K_v \times 0.005 \quad \text{l/min} \\ &= (6.1 + 60/38.5) \times 200 \times 1 \times 0.005 \\ &= 7.7 \quad \text{l/min} \end{aligned}$$

$$\begin{aligned} \mathbf{Volume \ efficiency} &= \left[\frac{(60 \times 3.087)}{(60 \times 3.087) + 7.7} \right] \times 100 \\ &= \underline{96\%} \end{aligned}$$

2-3 Shaft Power Calculation

◆ **Example:** (see page 10):

HPC270 motor with a displacement code of 140:

Firstly, to find the maximum differential pressure ΔP at rated speed:

Rated shaft power (W):	174,000
Average actual running torque (Nm/bar):	28.3
Rated shaft speed (rpm):	275

$$174,000 = 28.3 \times \Delta P \times 275 \times 2 \times \pi / 60$$

$$\underline{\Delta P = 213 \text{ bar (max.)}}$$

Secondly, to find the maximum speed at rated pressure :

Rated shaft power (W) :	174,000
Average actual running torque (Nm/bar) :	28.3
Rated pressure (bar) :	250

$$174,000 = 28.3 \times 250 \times n \times 2 \times \pi / 60$$

$$\underline{n = 235 \text{ rpm (max.)}}$$

In summary, operating the motor within its shaft power limit, at rated speed, would give a maximum pressure of 213 bar, and operating the motor at rated pressure, would give a maximum speed of 235 rpm.

Notes

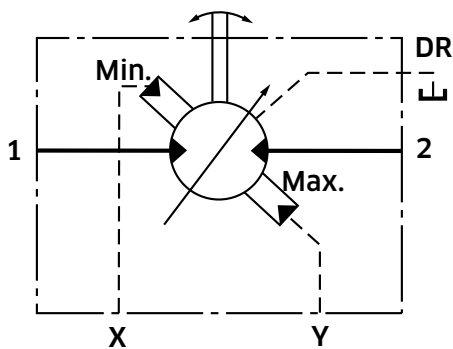
- 1) The maximum calculated speed is based on a rated inlet pressure of 250 bar.
- 2) The maximum shaft power is only allowable if the motor drain temperature remains below 80°C.
- 3) The maximum calculated differential pressure assumes that the low pressure motor port is less than 30 bar.

2-4 Functional Symbols

◆ Example model code:

HPC*/P/***/**/FM3/X/...**

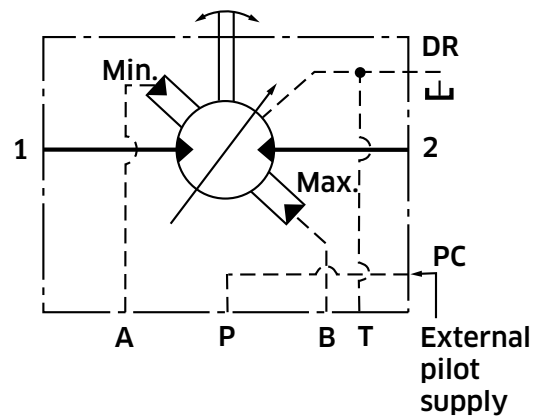
X - external pilot supply to 'X' and 'Y' ports



◆ Example model code:

HPC*/P/***/**/FM3/C/...**

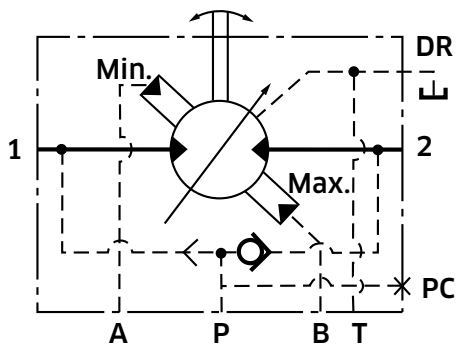
C - single external supply to PC port



◆ Example model code:

HPC*/P/***/**/FM3/CS/...**

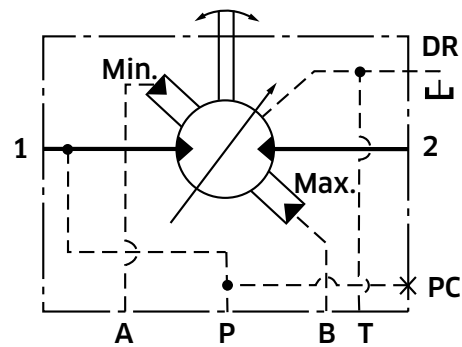
CS - internally shuttled pilot supply



◆ Example model code:

HPC*/P/***/**/FM3/C1/...**

C1 - internal pilot supply from port 1 for clockwise rotation only



There is a single port (PC) in the 'C' spacer.

Pressure ports in FM3 & FM4 valve housings can be called up as special features when required.

2-5 Shaft Stress Limits

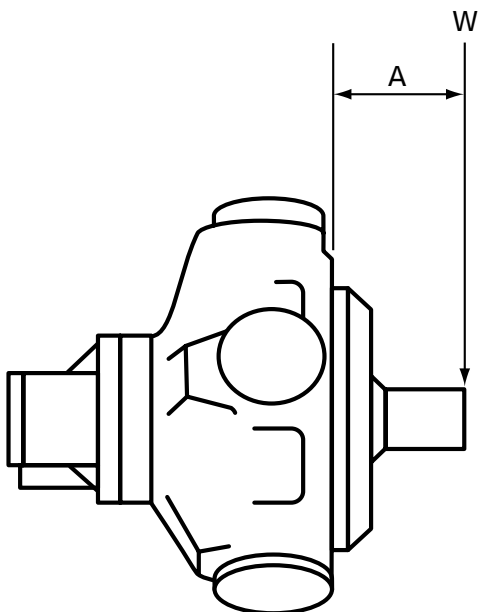
When applying large external radial loads, consideration should also be given to motor bearing lives, (see page 16).

Motor type	Maximum external radial bending moment (kNm)
HPC080	4,500
HPC125	6,500
HPC200	6,750
HPHDC200	12,200
HPC270	8,250
HPHDC270	16,000
HPC325	8,250

Example:

Determine the maximum radial shaft load of a HMC motor:

Radial load offset, A = 100 mm
 Maximum radial load, W = 4,500 (see table)/100
= 45N (4587 kg)



A = Distance from mounting face to load centre (m)

W = Side load (N)

Note.
 The offset distance A is assumed to be greater than 50 mm.
 Contact KPM UK if this is not the case.

2-6 Bearing Life Notes

Consideration should be given to the required motor bearing life in terms of bearing service life. The factors that will determine bearing life include:

- 1) **Duty cycle - time spent on and off load**
- 2) **Speed**
- 3) **Differential pressure**
- 4) **Fluid viscosity, type, cleanliness and temperature**
- 5) **External radial shaft load**
- 6) **External axial shaft load**

2-7 Circuit and Application Notes

◆ Limits for fire resistant fluids

To select either displacement, a pressure at least equal to 67% of the motor inlet/outlet pressure (whichever is higher) is required. In most applications the motor inlet pressure will be used. If the inlet/outlet pressure is below 3.5 bar, a minimum control pressure of 3.5 bar is required. In the event of loss of control pressure the motor will shift to its highest displacement.

◆ Starting torque

Refer to performance data, (see pages 7 to 11).

◆ Low speed operation

The minimum operating speed is determined by load inertia, drive elasticity, motor displacement and system internal leakage. If the application speed is below 3 rpm, then consult KPM UK.

If possible, always start the motor in high displacement.

◆ Small displacements

The pressures given in the table on pages 7 to 11 for displacement code "00" are based on 1,000 rpm output shaft speed. This pressure can be increased

for shaft speeds less than 1,000 rpm; consult KPM UK for details. Speeds greater than 1,000 rpm may be applied but only after the machine duty cycle has been considered in conjunction with KPM UK. A zero swept volume displacement (for freewheeling requirements) is available on request, consult KPM UK.

◆ High back pressure

When both inlet and outlet ports are pressurised continuously, the lower pressure port must not exceed **100 bar** at any time. Note that high back pressure reduces the effective torque output of the motor.

◆ Boost pressure

When operating as a motor the outlet pressure should equal or exceed the crankcase pressure. If pumping occurs (i.e. overrunning loads) then a positive pressure, "P", is required at the motor ports. Calculate "P" (bar) from the boost formula:

$$P = 1 + \frac{N^2 \times V^2}{K} + C$$

Where P is in bar, N = motor speed (rpm), V = motor displacement (cc/rev), C=Crankcase pressure (bar).

Motor	Porting	Constant (K)
HPC080	FM3, S03, F3	1.6×10^{10}
HPC125	FM3, S03, F3	1.6×10^{10}
HPC200	F3, FM3, S03	1.6×10^{10}
	F4, FM4, S04	3.3×10^{10}
HPC270	S04, F4, FM4	4×10^{10}
HPC325	S04, F4, FM4	4×10^{10}

2-7 Circuit and Application Notes (cont)

The flow rate of oil for the make-up system can be estimated from the crankcase leakage data (see page 12) plus an allowance for changing displacement:

e.g.

HPC080	To change high to low in 0.25 sec requires 32 l/min
HPC0125	To change high to low in 0.5 sec requires 15 l/min
HPC0200	To change high to low in 0.5 sec requires 15 l/min
HPC270	To change high to low in 1 sec requires 24 l/min
HPC325	To change high to low in 1 sec requires 20 l/min

Allowances should be made for other systems losses and also for “fair wear and tear” during the life of the motor, pump and system components.

◆ Motorcase pressure

The motorcase pressure should not continuously exceed 3.5 bar with a standard shaft seal fitted. On installations with long drain lines a relief valve is recommended to prevent over-pressurising the seal.

Notes

- 1) The motorcase pressure at all times must not exceed either the motor inlet or outlet pressure.
- 2) High pressure shaft seals are available to special order for casing pressures of: 10 bar continuous and 15 bar intermittent.
- 3) Check installation dimensions (pages 25 to 55) for maximum crankcase drain fitting depth.

◆ Hydraulic fluids

Dependent on motor (see model code fluid type - page 3) suitable fluids include:

- a) Antiwear hydraulic oils
- b) Phosphate ester (HFD fluids)
- c) Water glycols (HFC fluids)
- d) 60/40% water-in-oil emulsions (HFB fluids)
- e) 5/95% oil-in-water emulsions (HFA fluids)

Viscosity limits when using any fluid except oil-in-water (5/95) emulsions are:

Max. off load:	2,000 cSt (9270 SUS)
Max. on load:	150 cSt (695 SUS)
Optimum:	50 cSt (232 SUS)
Minimum:	25 cSt (119 SUS)

◆ Mineral oil recommendations

The fluid should be a good hydraulic grade, non-detergent mineral oil. It should contain anti-oxidant, antifoam and demulsifying additives. It must contain antiwear or EP additives. Automatic transmission fluids and motor oils are not recommended.

2-7 Circuit and Application Notes (cont)

◆ Temperature limits

Ambient min. -30°C

Ambient max. +70°C

Max. operating temperature range.

Min

Mineral oil

Water-containing

-20°C

+10°C

Max. *

+80°C

+54°C

* To obtain optimum services life from both fluid and hydraulic systems components, 65°C normally is the maximum temperature expected for water-containing fluids.

◆ Filtration

Full flow filtration (open circuit), or full boost flow filtration (close circuit) to ensure system cleanliness to ISO4406/1986 code 18/14 or cleaner. Note: If a CP valve is used, then 17/13 or cleaner is recommended.

◆ Noise levels

The airborne noise level is less than 66.7 dBA (DIN) through the “continuous” operating envelope. Where noise is a critical factor, installation resonances can be reduced by isolating the motor by elastomeric means from the structure and the return line installation. Potential return line resonance originating from liquid borne noise can be further attenuated by providing a return line back pressure of 2 to 5 bar.

◆ Polar moment of Inertia

Typical data

Motor	Displacement code	Kgm2
HPC080	90	0.052
	45	0.044
HPC125	125	0.20
	50	0.14
HPC200	188	0.23
	75	0.18
HPC270	280	0.83
	100	0.61
HPC325	325	0.87
	100	0.61

◆ Mass

HPC080 Approx. all models 172 kg.

HPC125 Approx. all models 235 kg.

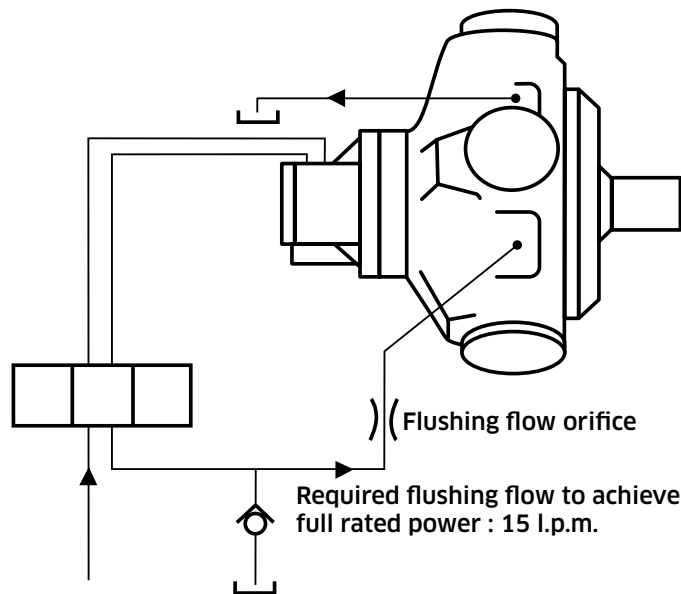
HPC200 Approx. all models 282 kg.

HPC270 Approx. all models 450 kg.

HPC325 Approx. all models 460 kg.

2-8 Crankcase Flushing Flow

In order to achieve the maximum shaft power, a crankcase flushing flow of 15 l/min should be directed through the motorcase. To improve the cooling effect of flushing flow, the distance between the inlet and outlet drain port connections should be maximised. If a flushing flow is not used, please consult KPM UK to verify performance parameters.



Check valve pressure (bar) *	Orifice diameter (mm)
3	4.4
4	4.1
5	3.9
6	3.7
7	3.6
8	3.5
9	3.4
10	3.3

* This assumes that the crankcase pressure is zero, if not then the check valve pressure will need to be increased to maintain the pressure drop across the orifice.

[Note]

If due to crankcase flushing flow, the crankcase pressure continuously exceeds 3.5 bar, then the motor build should include a high pressure shaft seal.

2-9 Motor Operation at Low Temperature

When operating the motor at low temperature consideration should be given to the fluid viscosity. The maximum fluid viscosity before the shaft should be turned is 2,000 cSt. The maximum fluid viscosity before load is applied to the motor shaft is 150 cSt.

If low ambient temperature conditions exist, then a crankcase flushing flow of at least 5 l/min should be applied to the motor during periods when the motor is not in use.

The shaft seal temperature limits for both medium and high pressure applications are shown in the table below.

	Non-operating temperature limits	Minimum operating temperature
Standard pressure shaft seal	below minus 40° and above 100°C	minus 30°C
High pressure shaft seal	below minus 30° and above 120°C	minus 15°C

All seals are very brittle below minus 40°C and are likely to break very easily and due to their sluggish response may not provide a 100% leak free condition.

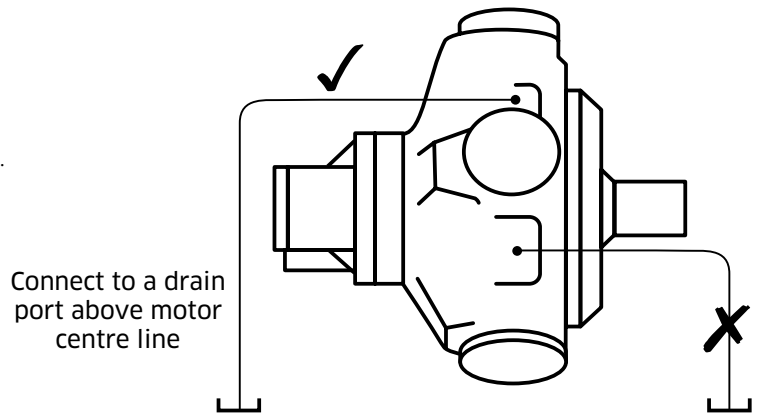
It should be noted that the maximum continuous operating temperature within the motor crankcase is plus 80°C.

It is recommended that the motor is operated by observing the rule for viscosity and the minimum operating temperature.

2-10 Crankcase Drain Connections

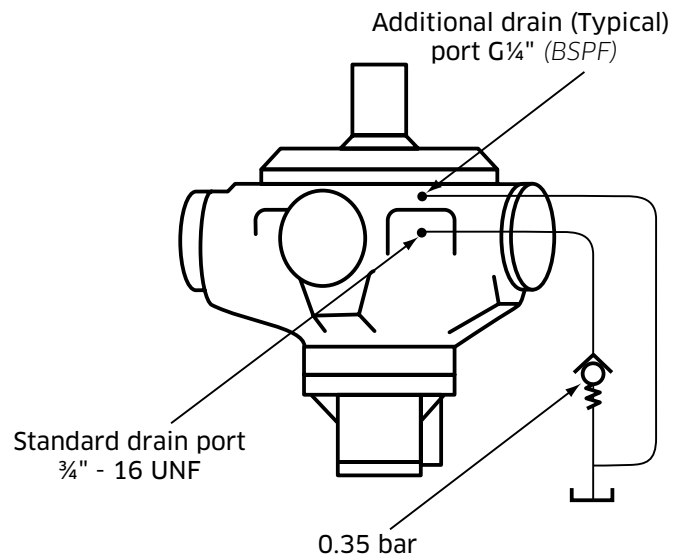
◆ Motor axis - horizontal

The recommended minimum pipe size for drain line lengths up to approx. 5m is 12.0 mm (½") bore. Longer drain lines should have their bore size increased to keep the crankcase pressure within limits.



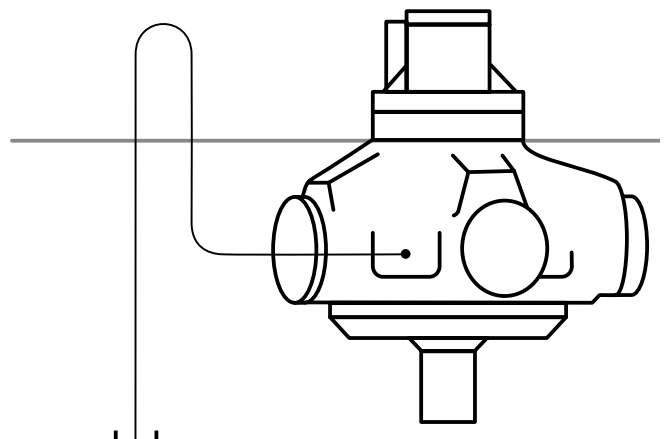
◆ Motor axis - vertical shaft up

Specify "V" within the model code for extra drain port, G¼" (BSPF). Connect this port into the main drain line downstream of a 0.35 bar check valve to ensure good bearing lubrication. The piping arrangement must not allow syphoning from the motorcase. (refer to installation drawing for details).



◆ Motor axis - vertical shaft down

The piping, from any drain port, must be taken above the level of the motorcase to ensure good bearing lubrication. The arrangement must not allow syphoning from the motorcase.



2-11 Freewheeling Notes

All Staffa motors can be used in freewheeling applications. In all circumstances it is essential that the motor is unloaded (“A” and “B” ports connected together) and that the circuit is boosted. The required boost pressure is dependent on both the speed and displacement conditions of the motor determined by the maximum overrunning load condition (see boost pressure calculation method on page 17)

It should be noted that for “B” motors large flows will re-circulate around the motor. This will require a large recirculating valve and consideration of circuit cooling as the motor will be generating a braking torque. It is for these reasons that “C” series motors are the preferred option for freewheeling applications. It is normal to select displacement codes 00, 05 or 10.

Selecting the lowest zero displacement option (00) will allow the motor shaft to be rotated at high speed without pumping fluid and with a minimum boost and drive torque requirement. Consideration must also be given when freewheeling that the load does not drive the motor above its rated freewheeling speed condition. (see pages 7 to 13).

◆ Displacement selection

Under all operating conditions the control pressure port should be at least 67% of the motor inlet/outlet pressure whichever is the higher.

A minimum control pressure at the low displacement selection port of 3.5 bar is necessary to ensure that the motor remains in its minimum displacement condition. A separate pressure supply may be necessary to ensure this condition is always maintained. It should be noted that with the loss of control pressure, the motor will shift to its high displacement condition, which could result in damage to the motor.

◆ Boost requirement

The minimum required boost pressure as noted above can be ascertained utilising the calculation method shown on page 17. The maximum motor and control pressure at 100 rpm is 17 bar and must not be exceeded since higher pressures will increase motor losses at the conrod slipper interface and valve assembly and thereby will significantly increase the motor operating temperature.

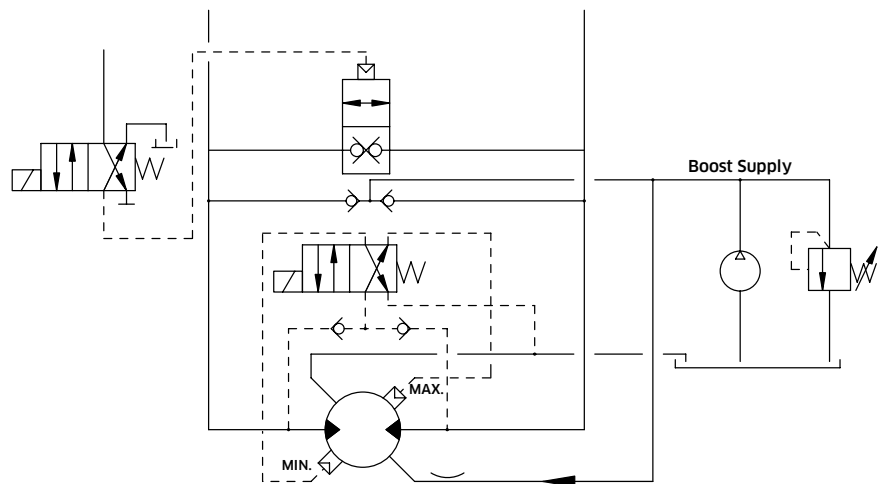
The boost flow required should be sufficient to make-up circuit leakage loss and provide cooling for recirculating flow pressure drop.

◆ Crankcase cooling

A crankcase flushing flow of up to 15 l/min can be used to control and reduce the temperature rise of the motor during the freewheel operation.

This should not be necessary for speeds below 1,000 rpm.

For speeds above this up to 1,500 rpm then crankcase flushing flow must be used.



2-12 Installation Data

◆ General

Spigot

The motor should be located by the mounting spigot on a flat, robust surface using correctly sized bolts. The diametrical clearance between the motor spigot and the mounting must not exceed 0.15 mm. If the application incurs shock loading, frequent reversing or high speed running, then high tensile bolts should be used, including one fitted bolt.

Bolt torque

The recommended torque wrench setting for bolts is as follows:

M18	312 +/- 7 Nm
5/8" UNF	265 +/- 14 Nm
M20	407 +/- 14 Nm
3/4" UNF	393 +/- 14 Nm

Shaft coupling

Where the motor is solidly coupled to a shaft having independent bearings the shaft must be aligned to within 0.13 mm TIR.

Motor axis - horizontal

The crankcase drain must be taken from a position above the horizontal centre line of the motor, (see page 22).

Motor axis - vertical shaft up

The recommended minimum pipe size for drain line lengths up to approx. 5m is 12.0 mm as an internal diameter. If using longer drain lines, then increase the pipe internal bore diameter to keep the motorcase pressure within specified limits.

Specify "V" in the model code for extra drain port, G1/4" (BSPF). Connect this port into main drain line downstream of a 0.35 bar check valve.

Motor axis - vertical shaft down

Piping (from any drain port) must be taken above level of motorcase.

Bearing lubrication - piping

The installation arrangement must not allow syphoning from the motorcase. Where this arrangement is not practical, please consult KPM UK.

Any of the drain port positions can be used, but the drain line should be run above the level of the uppermost bearing and if there is risk of syphoning then a syphon breaker should be fitted.

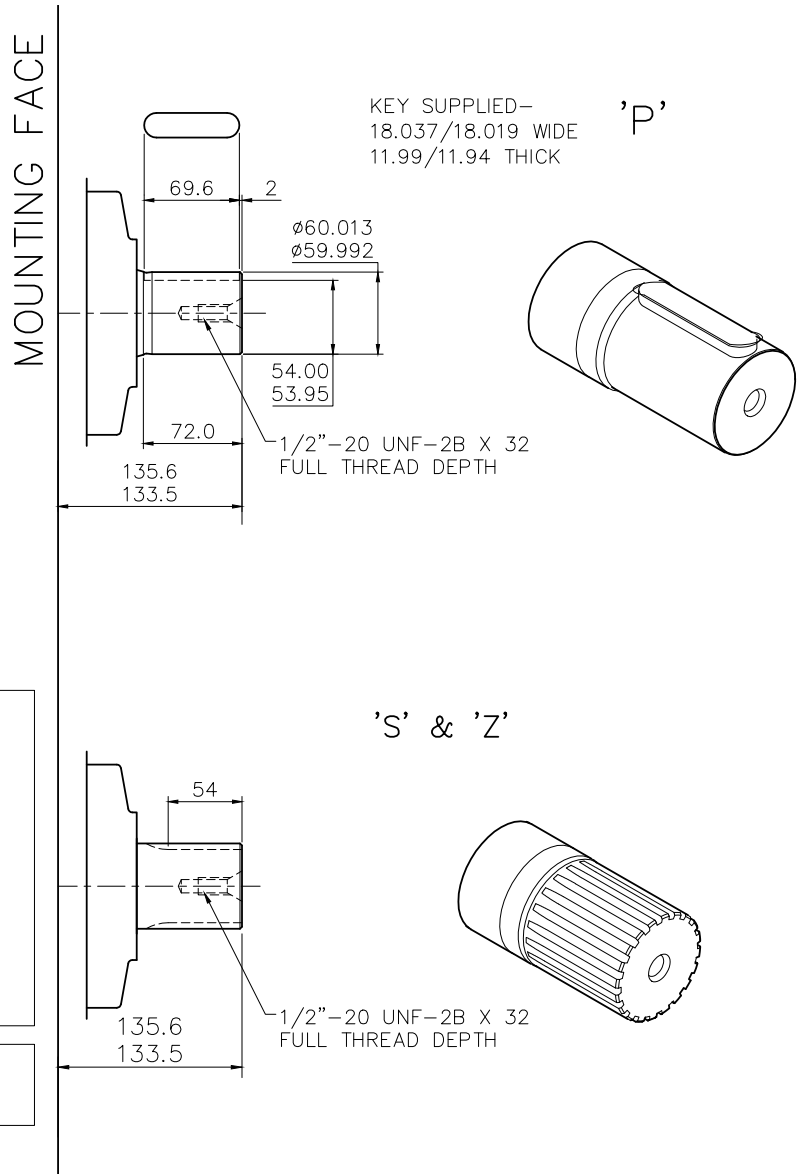
◆ Start - up

Fill the crankcase with system fluid. Where practical, a short period (30 minutes) of "running in" should be carried out with the motor unloaded and set to its high displacement.

3 Dimensions

3-1 HPC080 Installation

◆ 3-1-1 HPC080 - 'P', 'S' & 'Z' Shafts

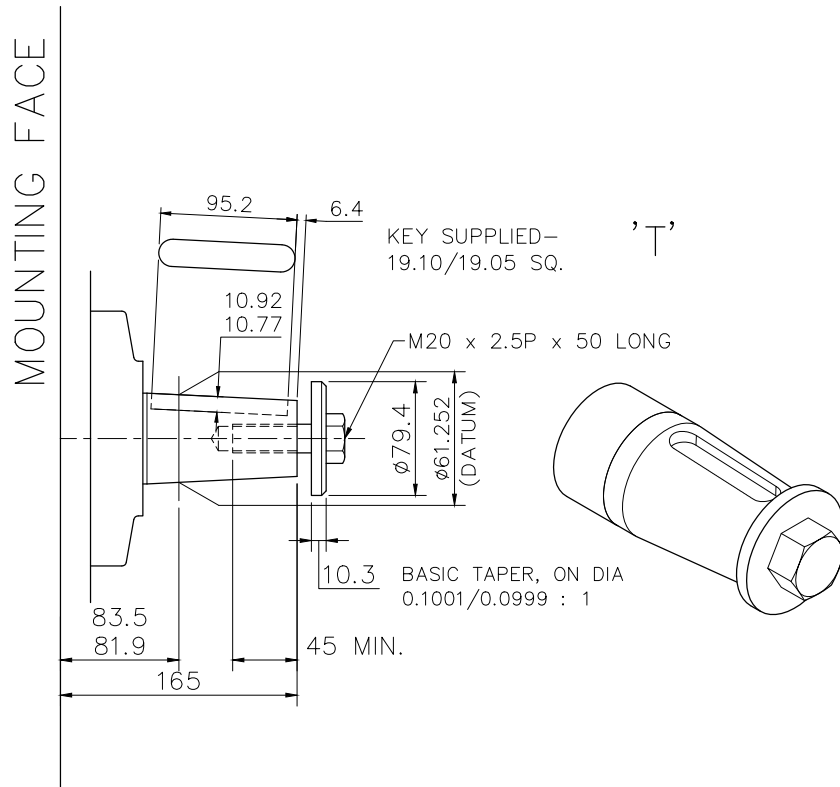


SPLINE DATA

'S'	
TO BS 3550 (ANSI B92.1 CLASS 5)	
FLAT ROOT SIDE FIT, CLASS 1	
PRESSURE ANGLE	30°
NUMBER OF TEETH	14
PITCH	6/12
MAJOR DIAMETER	62.553/62.425
FORM DIAMETER	55.052
MINOR DIAMETER	54.084/53.525
PIN DIAMETER	8.128
DIAMETER OVER PINS	71.593/71.544
'Z'	
DIN 5480 W70 x 3 x 30 x 22 x 7h	

3-1 HPC080 Installation (cont)

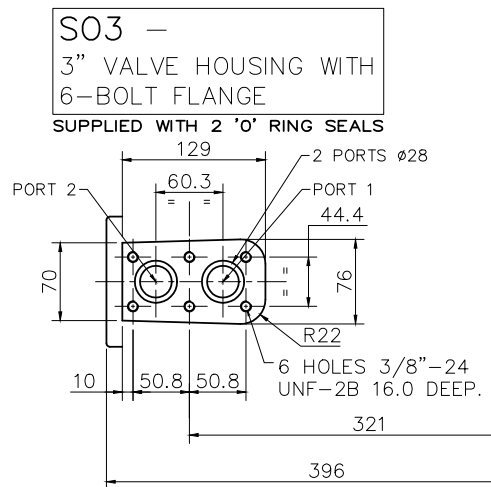
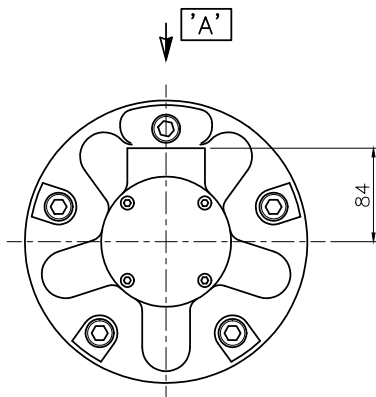
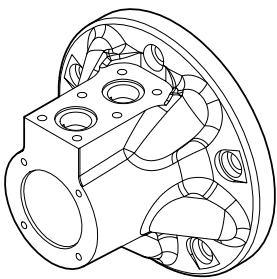
◆ 3-1-2 HPC080 - 'T' Shaft



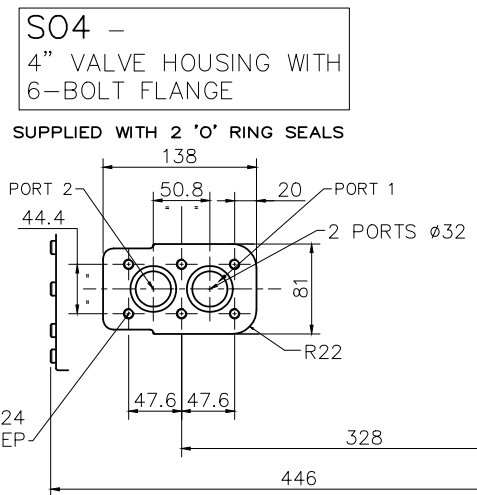
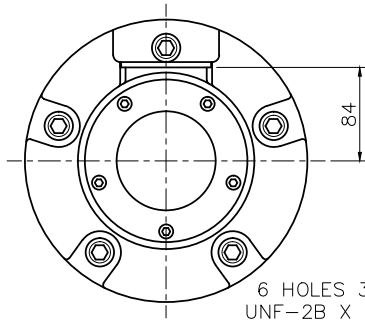
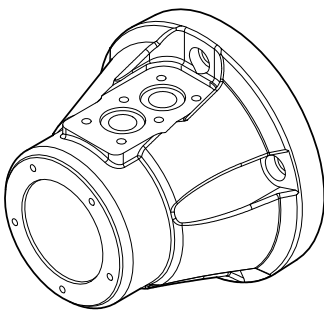
3-1 HPC080 Installation (cont)

◆ 3-1-3 HPC080 - 'S03' & 'S04' Valve Housings

IEWS ON ARROW 'A'

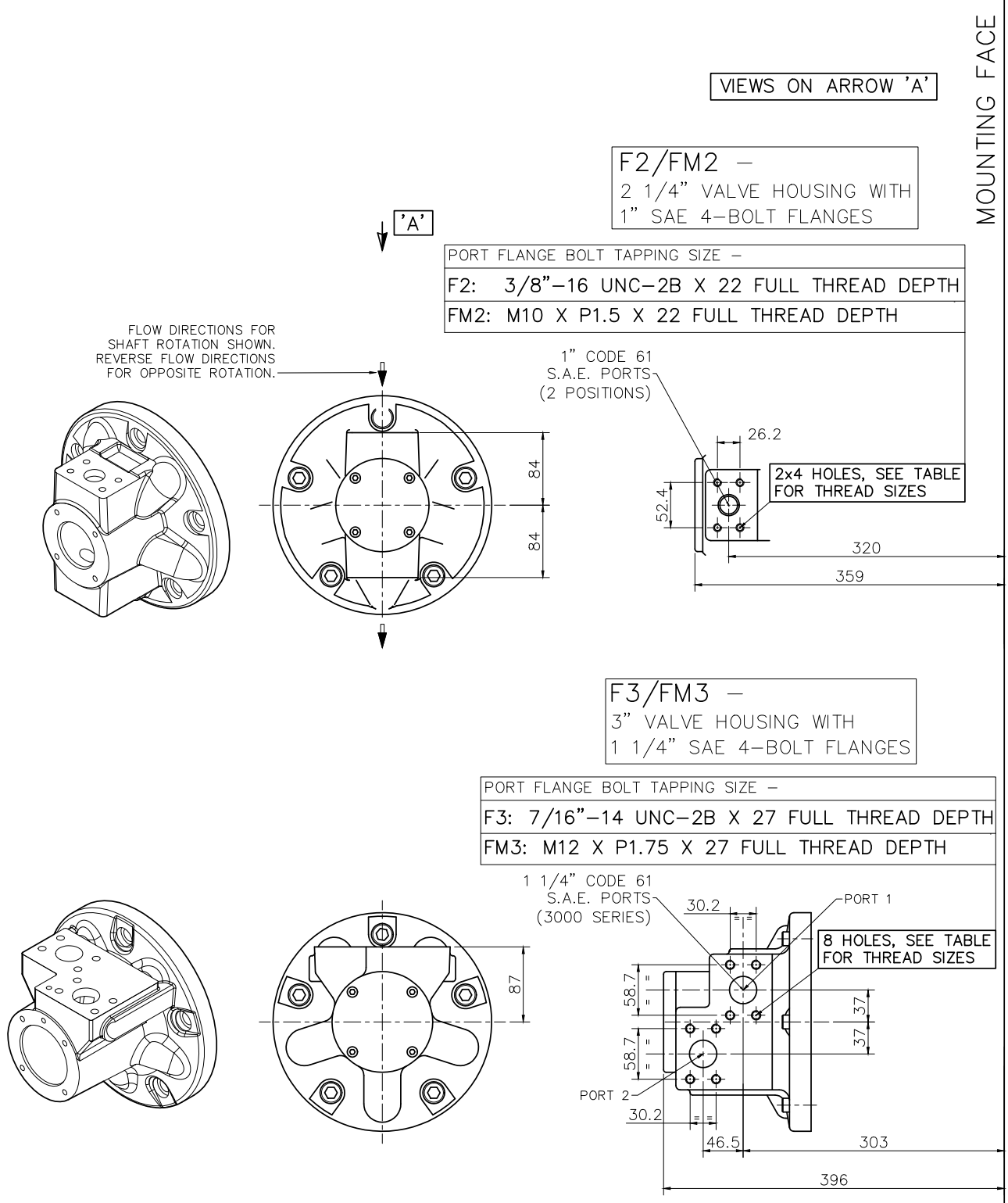


MOUNTING FACE



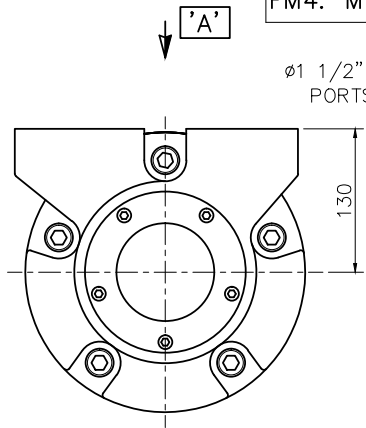
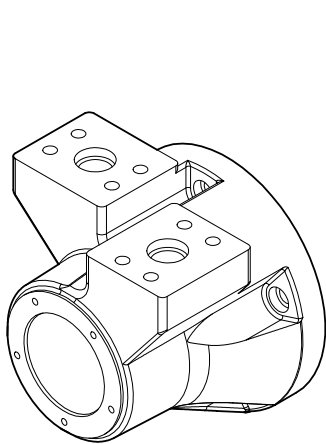
3-1 HPC080 Installation (cont)

◆ 3-1-4 HPC080 - 'F2', 'FM2', 'F3' & 'FM3' Valve Housings



3-1 HPC080 Installation (cont)

◆ 3-1-5 HPC080 - 'F4' & 'FM4' Valve Housings

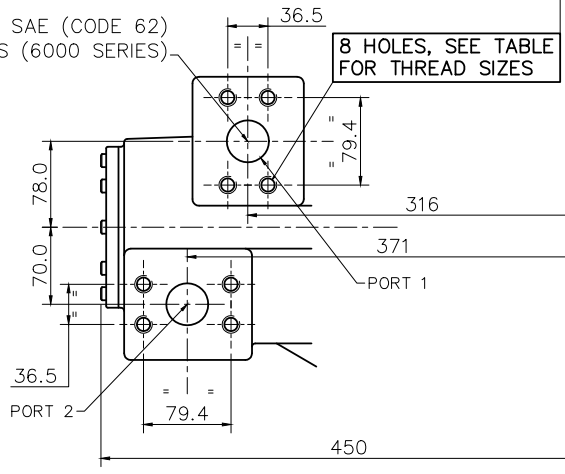


IEWS ON ARROW 'A'

F4/FM4 –
4" VALVE HOUSING WITH
1 1/2" SAE 4-BOLT FLANGES

PORT FLANGE BOLT TAPPING SIZE –
F4: 5/8"–11 UNC–2B X 35 FULL THREAD DEPTH
FM4: M16 X P2 X 35 FULL THREAD DEPTH

ø1 1/2" SAE (CODE 62)
PORTS (6000 SERIES)

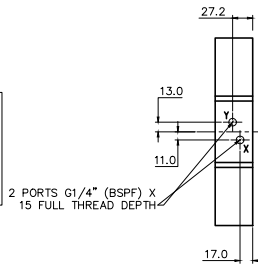


MOUNTING FACE

3-1 HPC080 Installation (cont)

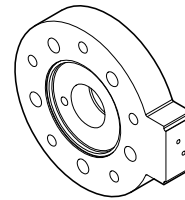
◆ 3-1-6 HPC080 - 'C', 'CS' & 'X' C Spacers

DISPLACEMENT SELECTION (VIA REMOTELY LOCATED VALVE*)
 HIGH DISPLACEMENT: P TO Y; X TO T
 LOW DISPLACEMENT: P TO X; Y TO T
 *DISPLACEMENT SELECTOR VALVE IS NOT SUPPLIED WITH MOTOR; SPECIFY & ORDER SEPARATELY



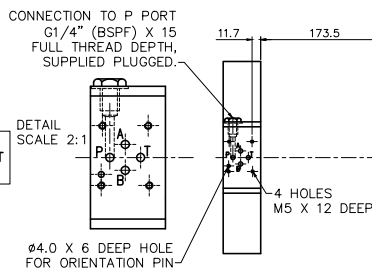
MOUNTING FACE

TYPE X
DISPLACEMENT CONTROL

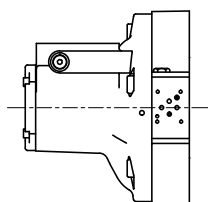
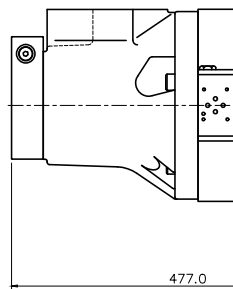
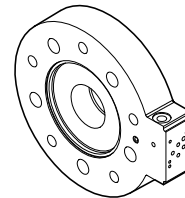


MOUNTING INTERFACE FOR DIRECTIONAL CONTROL VALVE* TO: ISO 4401 SIZE 03/ANSI B93.7M SIZE D03
 *DISPLACEMENT SELECTOR VALVE IS NOT SUPPLIED WITH MOTOR; SPECIFY & ORDER SEPARATELY

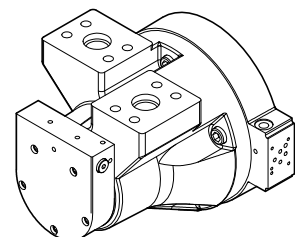
DISPLACEMENT SELECTION:
 HIGH DISPLACEMENT: P TO B; A TO T
 LOW DISPLACEMENT: P TO A; B TO T



TYPES C, CS & C1
DISPLACEMENT CONTROL



CS TYPE SHUTTLE ON F3 & FM3 ASSEMBLIES ONLY



CS TYPE SHUTTLE ENDCAP ON F4 & FM4 ASSEMBLIES ONLY

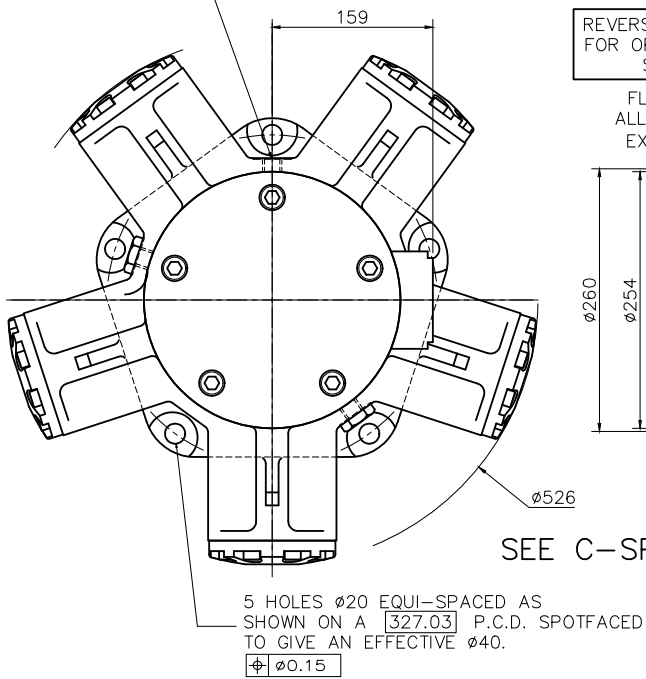
3-1 HPC080 Installation (cont)

◆ 3-1-7 HPC080 - Installation

3/4"–16UNF–2B DRAIN (CHOICE OF 3 POSITIONS)
(2 NORMALLY PLUGGED)

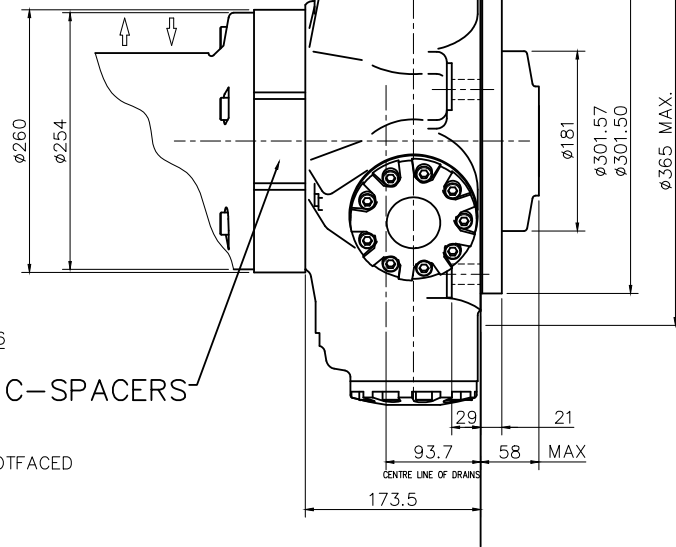
NOTE: – ENSURE ON INSTALLATION THAT DRAIN IS
TAKEN FROM ABOVE MOTOR CENTRELINE.

DO NOT EXCEED 12 DEPTH OF COUPLING
IN TO DRAIN PORT



REVERSE PORT CONNECTIONS FOR OPPOSITE DIRECTION OF SHAFT ROTATION

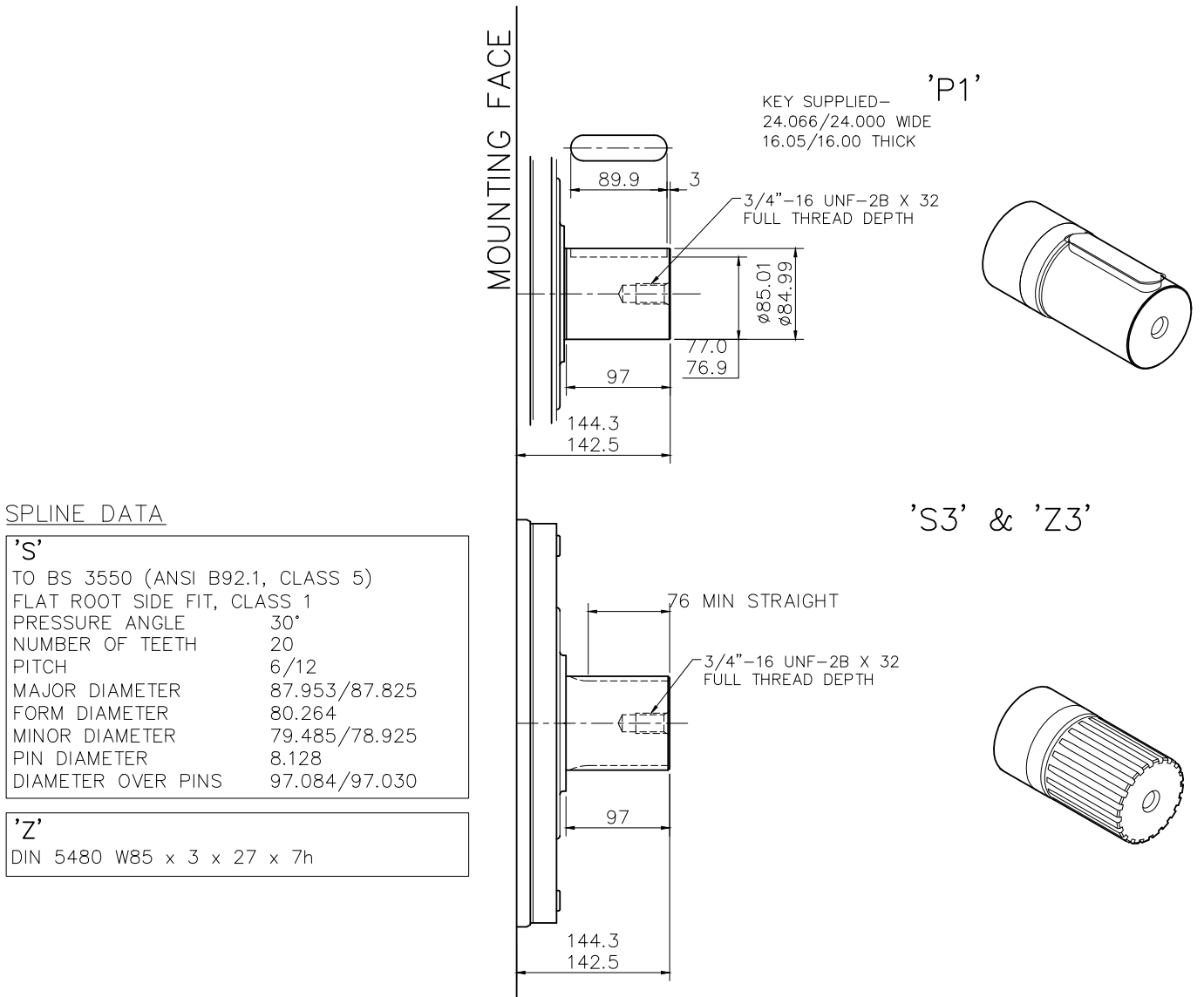
FLOW DIRECTION FOR ALL VLV HSG VARIANTS EXCEPT F2/FM2/SM3



SEE C-SPACERS

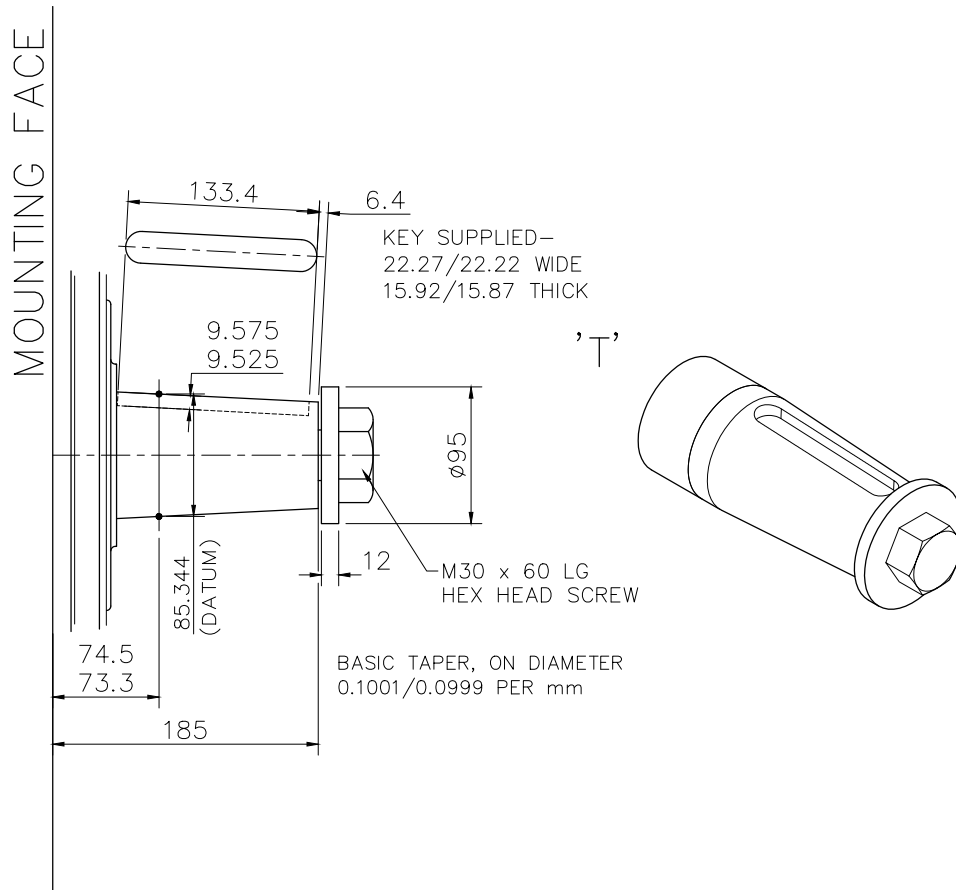
3-2 HPC125 Installation

◆ 3-2-1 HPC125 - 'P1', 'S3' & 'Z3' Shafts



3-2 HPC125 Installation (cont)

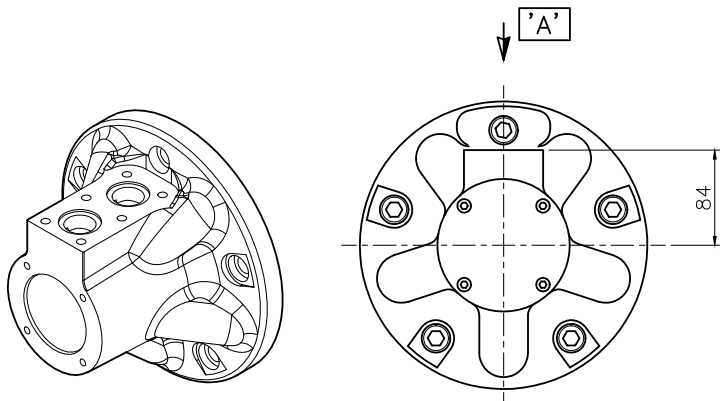
◆ 3-2-2 HPC125 - 'T' Shaft



3-2 HPC125 Installation (cont)

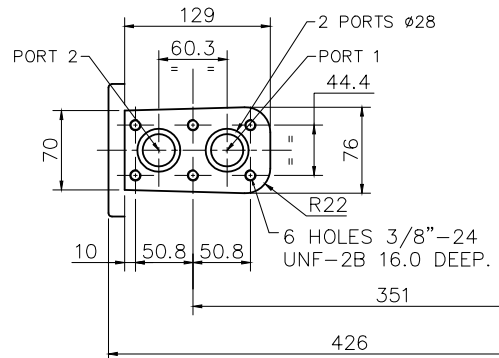
◆ 3-2-3 HPC125 - 'S03' & 'S04' Valve Housings

IEWS ON ARROW 'A'

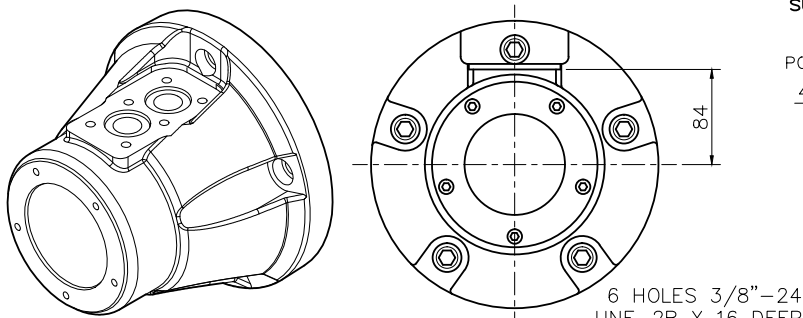


S03 –
3" VALVE HOUSING WITH
6-BOLT FLANGE

SUPPLIED WITH 2 'O' RING SEALS

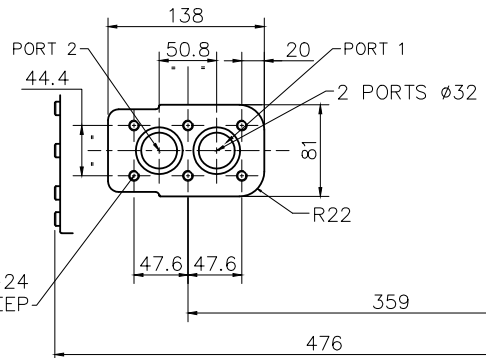


MOUNTING FACE



S04 –
4" VALVE HOUSING WITH
6-BOLT FLANGE

SUPPLIED WITH 2 'O' RING SEALS



3-2 HPC125 Installation (cont)

◆ 3-2-4 HPC125 - 'F2', 'FM2', 'F3' & 'FM3' Valve Housings

MOUNTING FACE

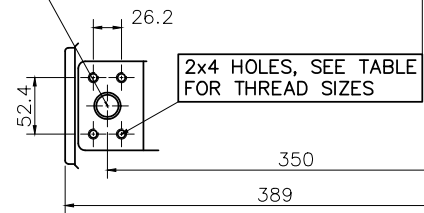
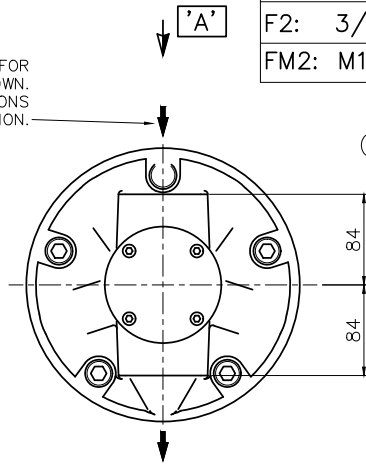
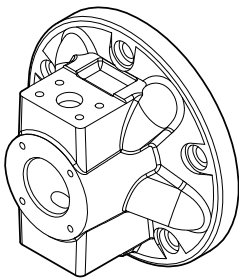
IEWS ON ARROW 'A'

F2/FM2 –
2 1/4" VALVE HOUSING WITH
1" SAE 4-BOLT FLANGES

PORT FLANGE BOLT TAPPING SIZE –
F2: 3/8"–16 UNC–2B X 22 FULL THREAD DEPTH
FM2: M10 X P1.5 X 22 FULL THREAD DEPTH

1" CODE 61
S.A.E. PORTS
(2 POSITIONS)

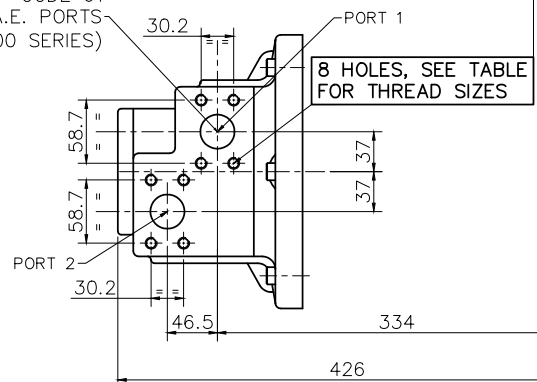
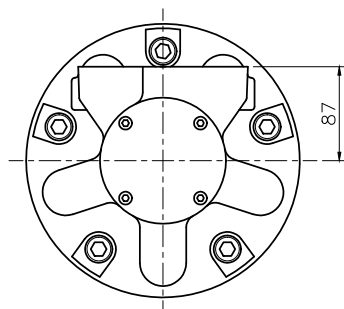
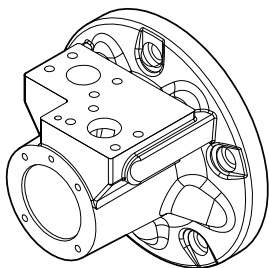
FLOW DIRECTIONS FOR
SHAFT ROTATION SHOWN.
REVERSE FLOW DIRECTIONS
FOR OPPOSITE ROTATION.



F3/FM3 –
3" VALVE HOUSING WITH
1 1/4" SAE 4-BOLT FLANGES

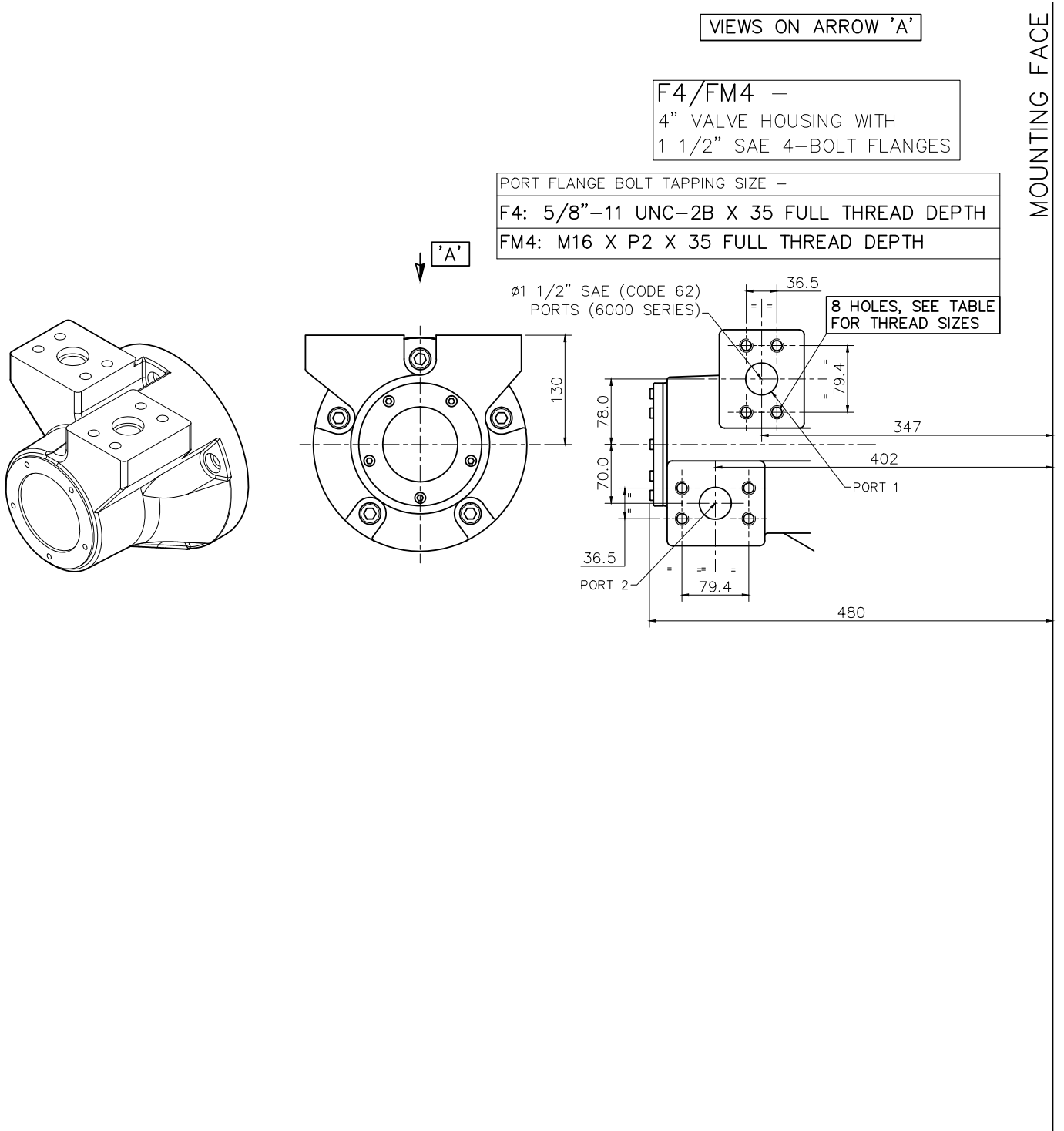
PORT FLANGE BOLT TAPPING SIZE –
F3: 7/16"–14 UNC–2B X 27 FULL THREAD DEPTH
FM3: M12 X P1.75 X 27 FULL THREAD DEPTH

1 1/4" CODE 61
S.A.E. PORTS
(3000 SERIES)



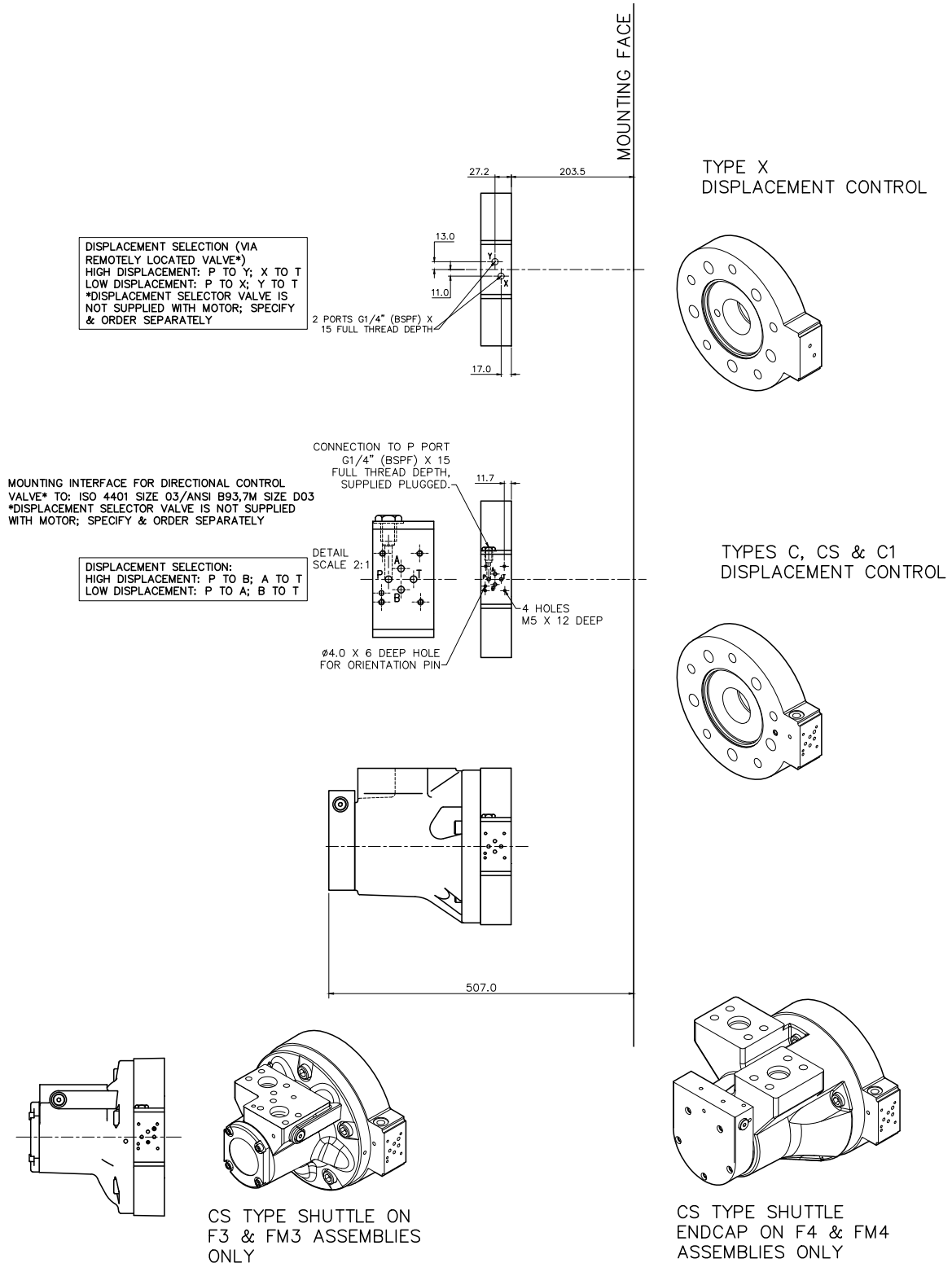
3-2 HPC125 Installation (cont)

◆ 3-2-5 HPC125 - 'F4' & 'FM4' Valve Housings



3-2 HPC125 Installation (cont)

◆ 3-2-6 HPC125 - 'C', 'CS' & 'X' C Spacers



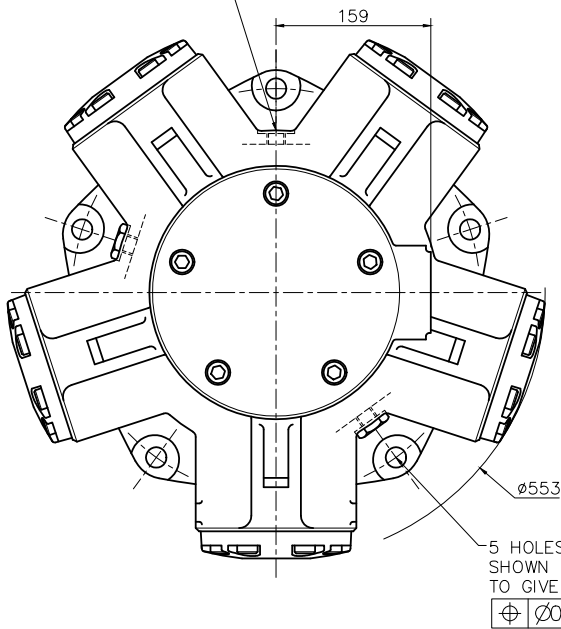
3-2 HPC125 Installation (cont)

◆ 3-2-7 HPC125 - Installation

3/4"-16 UNF-2B DRAIN (CHOICE OF 3 POSITIONS)
(2 NORMALLY PLUGGED)

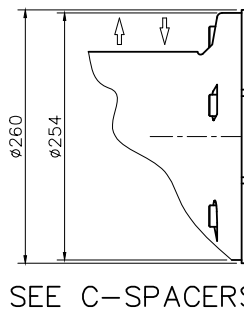
NOTE - ENSURE ON INSTALLATION THAT DRAIN IS TAKEN FROM ABOVE MOTOR CENTRELINE.

DO NOT EXCEED 12 DEPTH OF COUPLING IN TO DRAIN PORT.



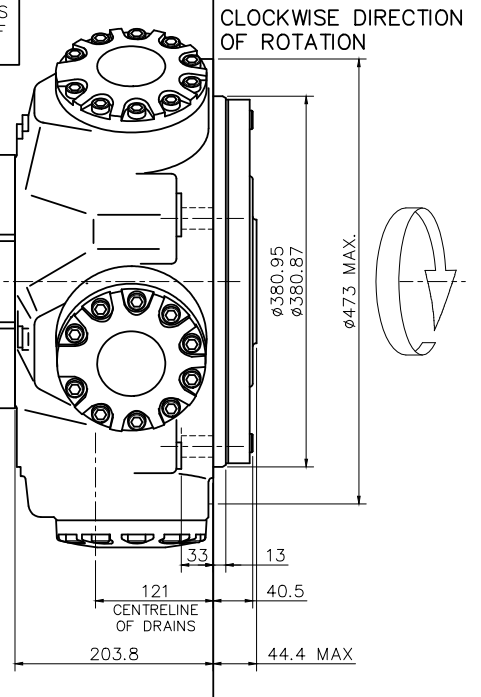
REVERSE PORT CONNECTIONS FOR OPPOSITE DIRECTION OF SHAFT ROTATION

FLOW DIRECTION FOR ALL VLV HSG VARIANTS EXCEPT F2/FM2/SM3



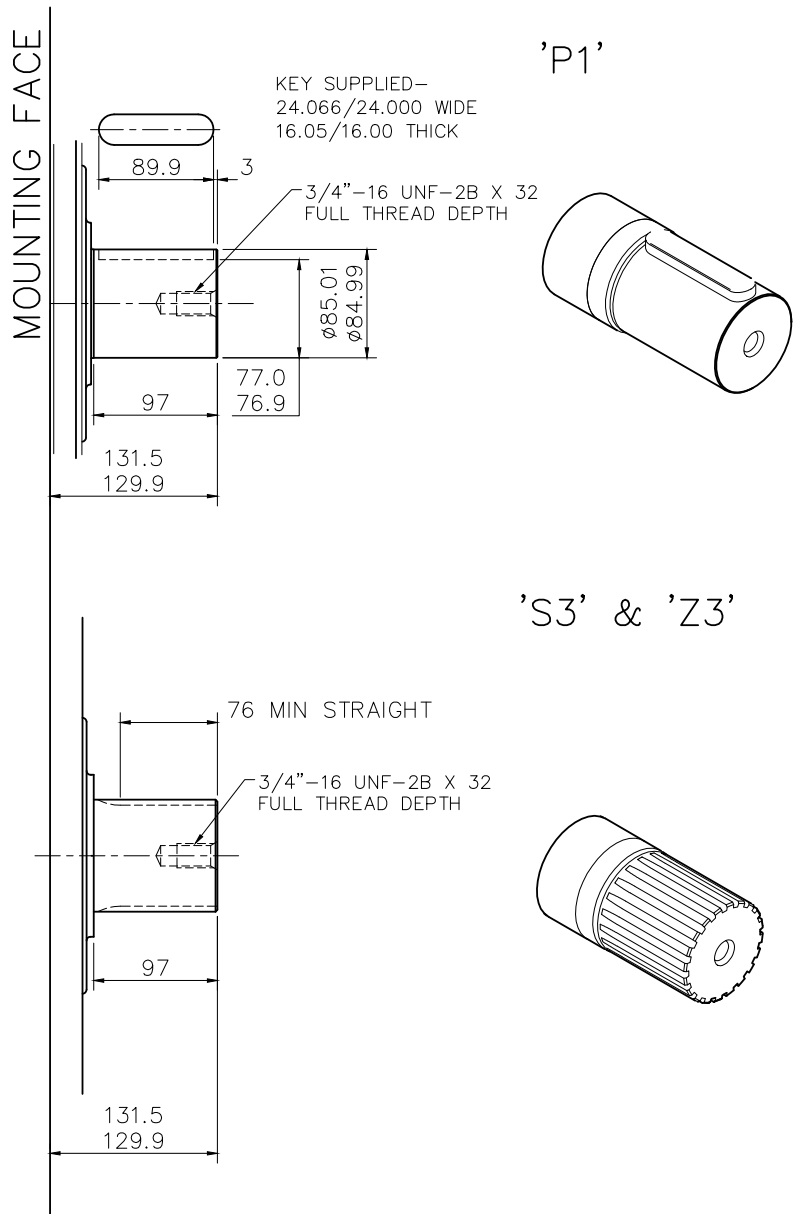
MOUNTING FACE

CLOCKWISE DIRECTION OF ROTATION



3-3 HPC200 Installation

◆ 3-3-1 HPC200 - 'P1', 'S3' & 'Z3' Shafts



SPLINE DATA

'S'

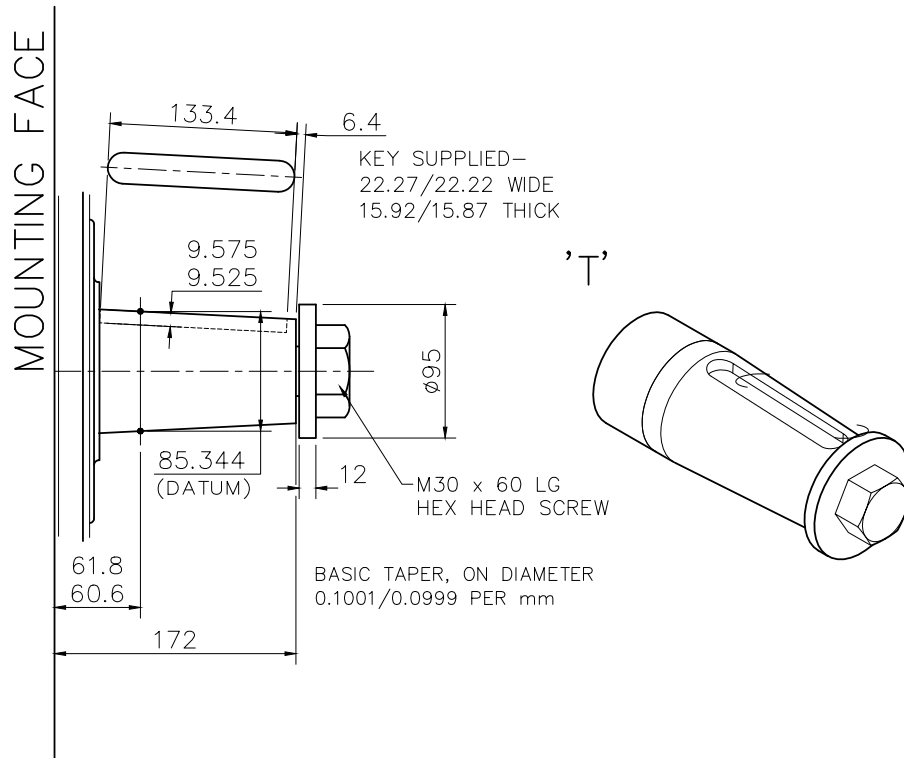
TO BS 3550 (ANSI B92.1, CLASS 5)
FLAT ROOT SIDE FIT, CLASS 1
PRESSURE ANGLE 30°
NUMBER OF TEETH 20
PITCH 6/12
MAJOR DIAMETER 87.953/87.825
FORM DIAMETER 80.264
MINOR DIAMETER 79.485/78.925
PIN DIAMETER 8.128
DIAMETER OVER PINS 97.084/97.030

'Z'

DIN 5480 W85 x 3 x 27 x 7h

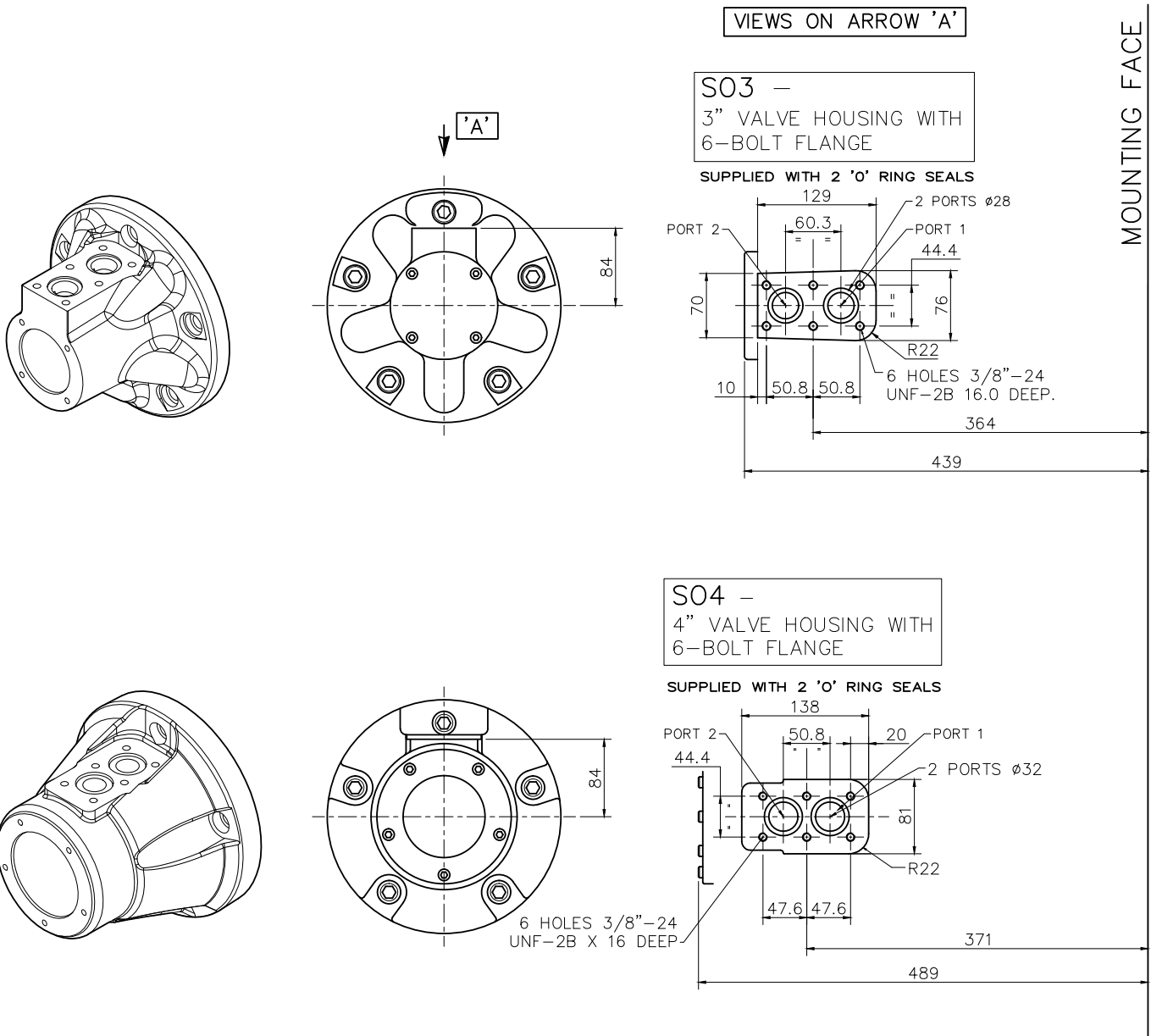
3-3 HPC200 Installation (cont)

◆ 3-3-2 HPC200 - 'T' Shaft



3-3 HPC200 Installation (cont)

◆ 3-3-3 HPC200 - 'S03' & 'S04' Valve Housings



3-3 HPC200 Installation (cont)

◆ 3-3-4 HPC200 - 'F2', 'FM2', 'F3' & 'FM3' Valve Housings

IEWS ON ARROW 'A'

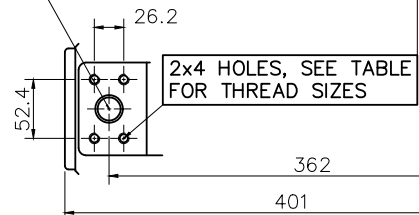
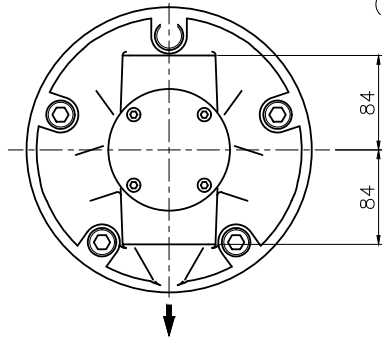
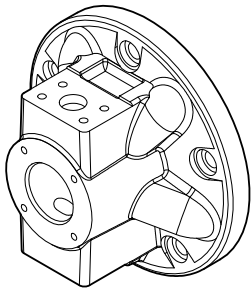
F2/FM2 –
2 1/4" VALVE HOUSING WITH
1" SAE 4-BOLT FLANGES

PORT FLANGE BOLT TAPPING SIZE –
F2: 3/8"–16 UNC–2B X 22 FULL THREAD DEPTH
FM2: M10 X P1.5 X 22 FULL THREAD DEPTH

FLOW DIRECTIONS FOR
SHAFT ROTATION SHOWN.
REVERSE FLOW DIRECTIONS
FOR OPPOSITE ROTATION.

'A'

1" CODE 61
S.A.E. PORTS
(2 POSITIONS)



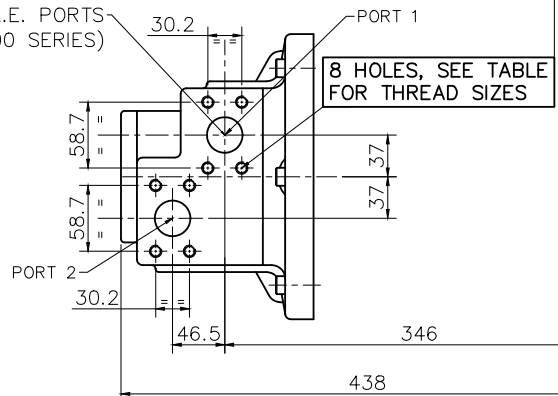
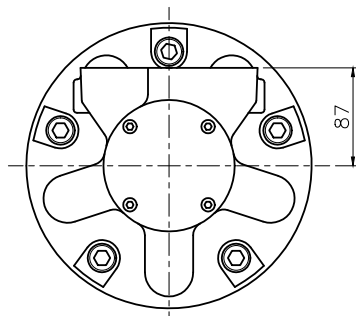
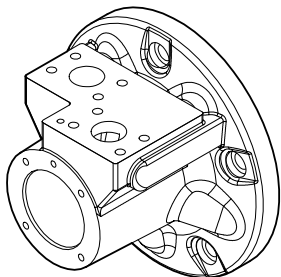
2x4 HOLES, SEE TABLE
FOR THREAD SIZES

MOUNTING FACE

F3/FM3 –
3" VALVE HOUSING WITH
1 1/4" SAE 4-BOLT FLANGES

PORT FLANGE BOLT TAPPING SIZE –
F3: 7/16"–14 UNC–2B X 27 FULL THREAD DEPTH
FM3: M12 X P1.75 X 27 FULL THREAD DEPTH

1 1/4" CODE 61
S.A.E. PORTS
(3000 SERIES)



8 HOLES, SEE TABLE
FOR THREAD SIZES

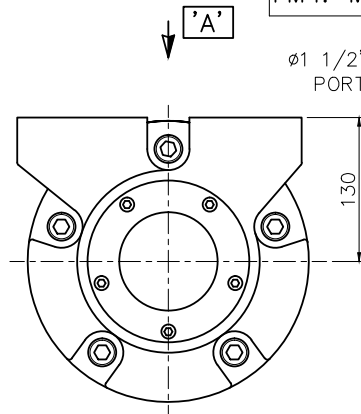
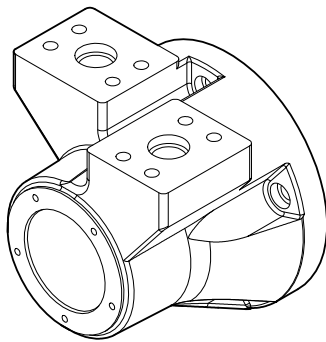
3-3 HPC200 Installation (cont)

◆ 3-3-5 HPC200 - 'F4' & 'FM4' Valve Housings

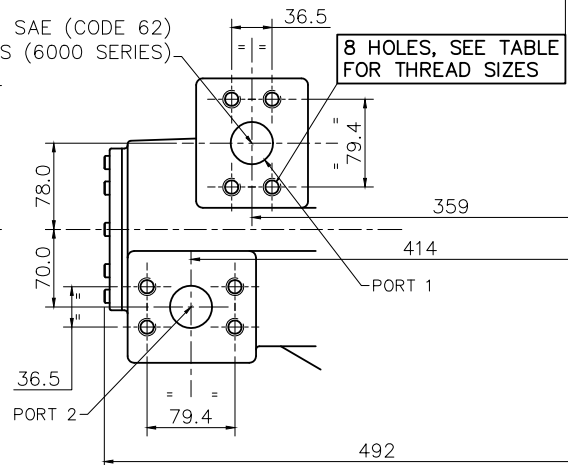
IEWS ON ARROW 'A'

F4/FM4 –
4" VALVE HOUSING WITH
1 1/2" SAE 4-BOLT FLANGES

PORT FLANGE BOLT TAPPING SIZE –
F4: 5/8"–11 UNC–2B X 35 FULL THREAD DEPTH
FM4: M16 X P2 X 35 FULL THREAD DEPTH



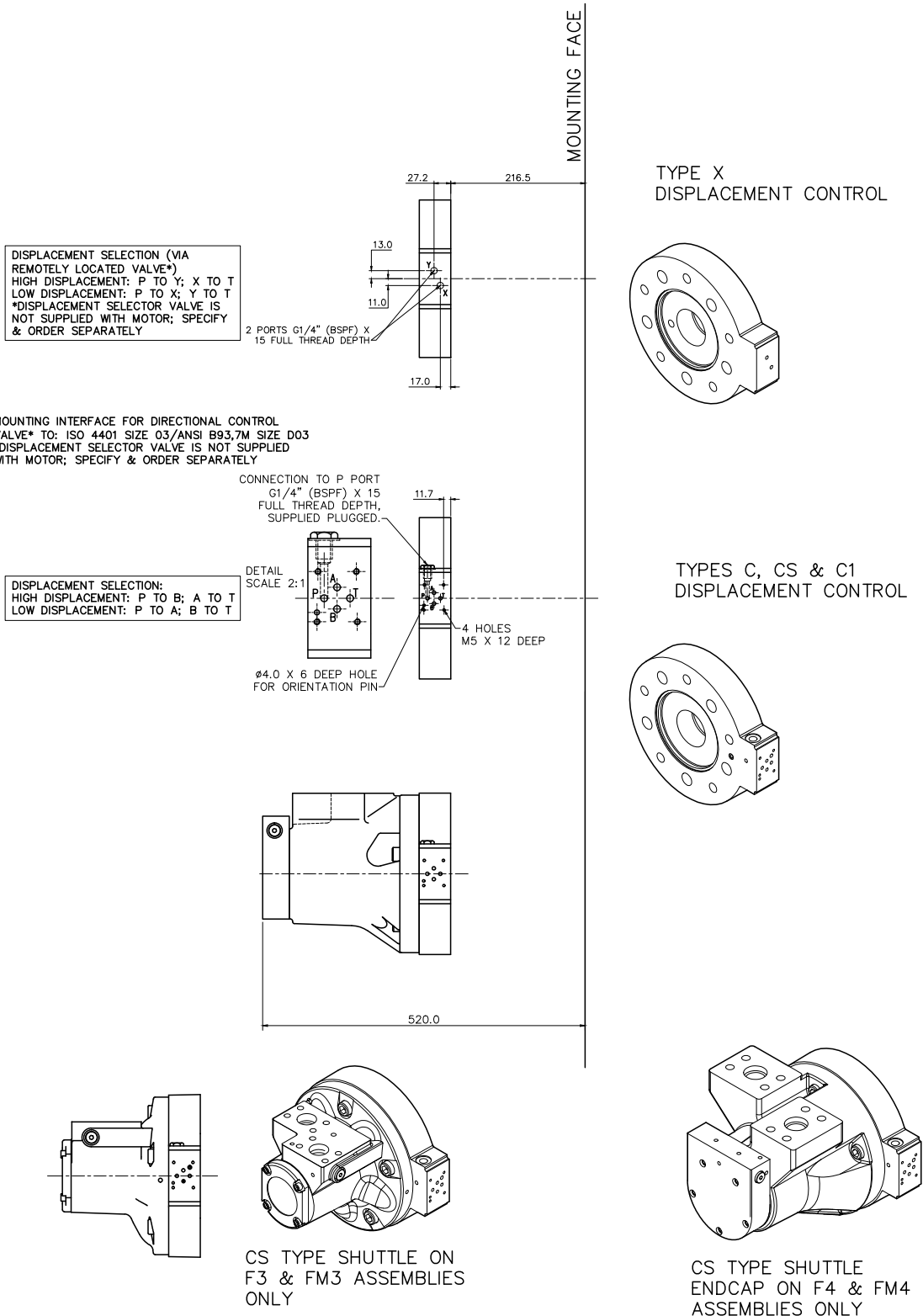
ø1 1/2" SAE (CODE 62)
PORTS (6000 SERIES)



MOUNTING FACE

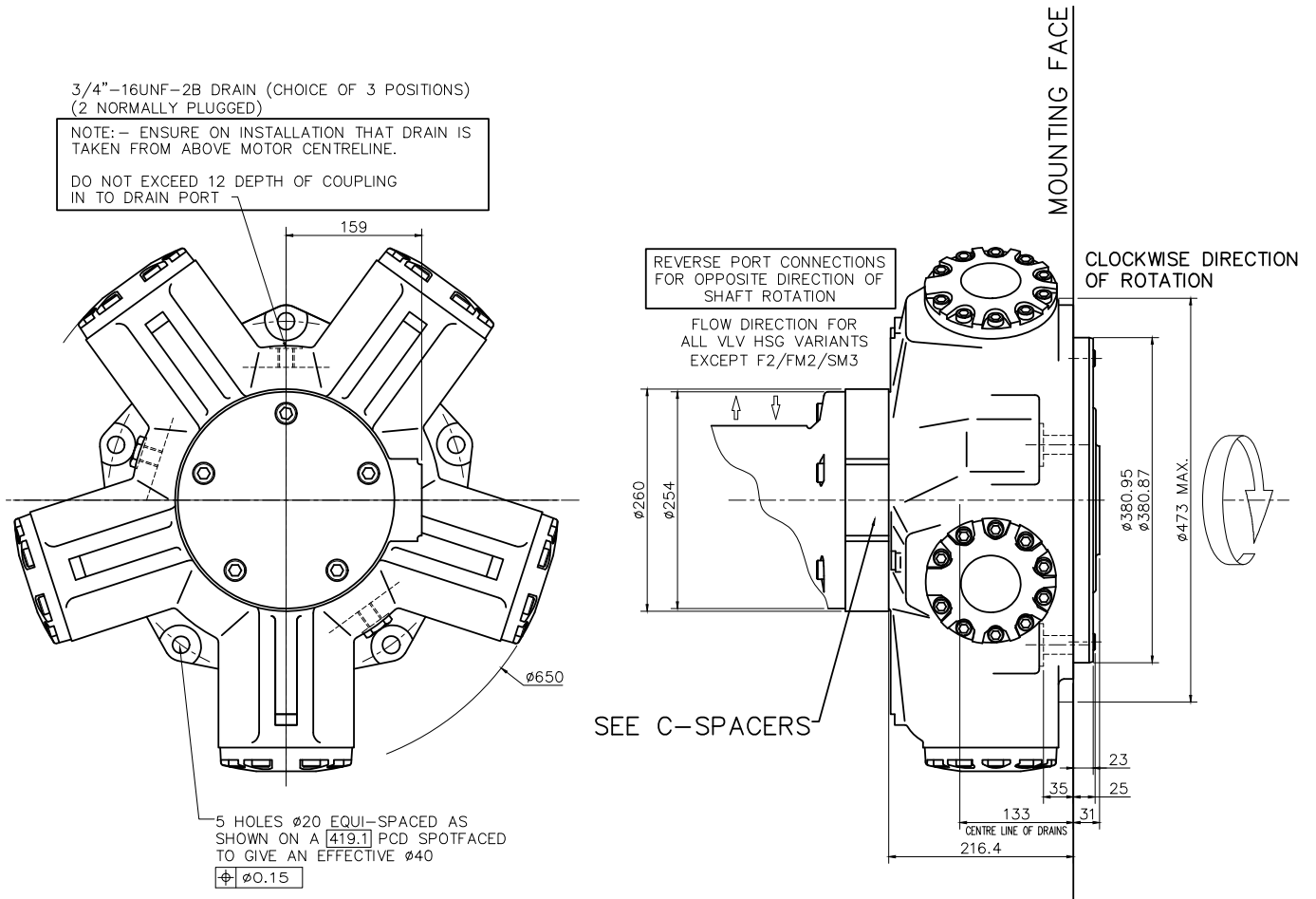
3-3 HPC200 Installation (cont)

◆ 3-3-6 HPC200 - 'C', 'CS' & 'X' C Spacers



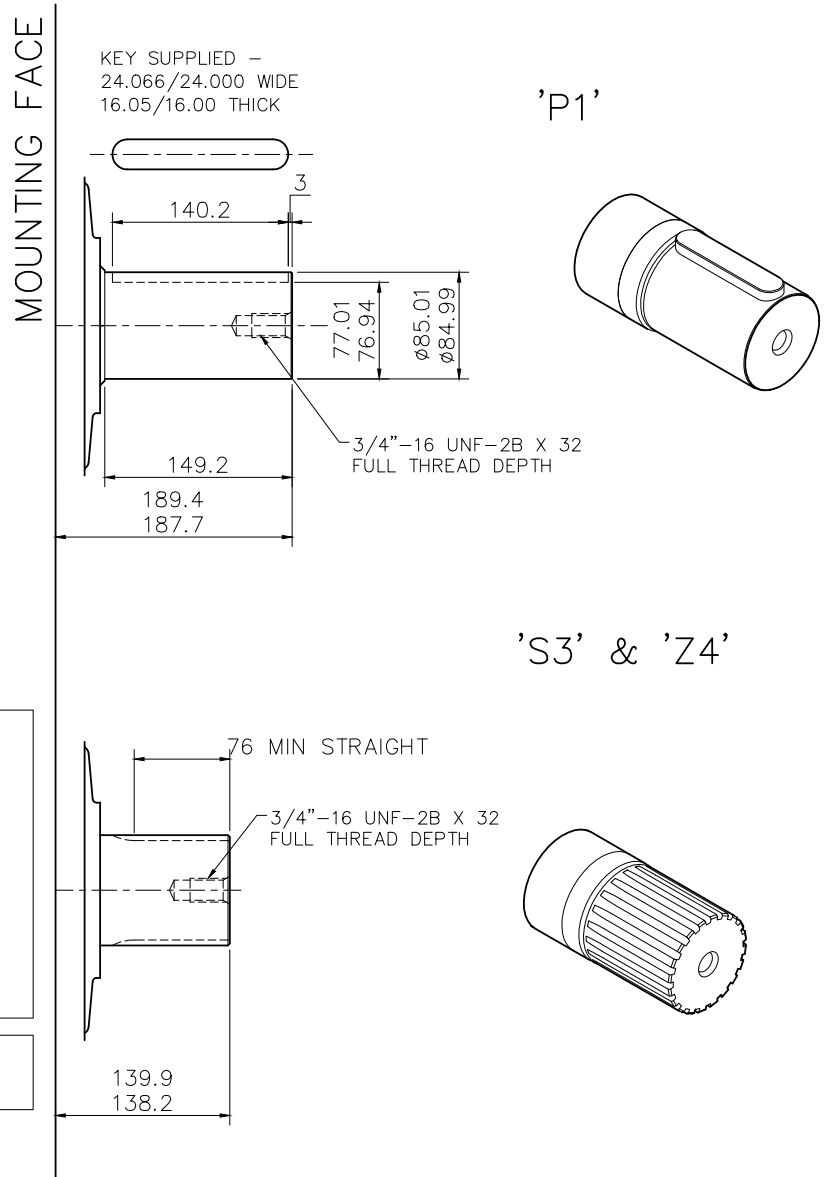
3-3 HPC200 Installation (cont)

◆ 3-3-7 HPC200 - Installation



3-4 HPC270 Installation

◆ 3-4-1 HPC270 - 'P1', 'S3' & 'Z4' Shafts



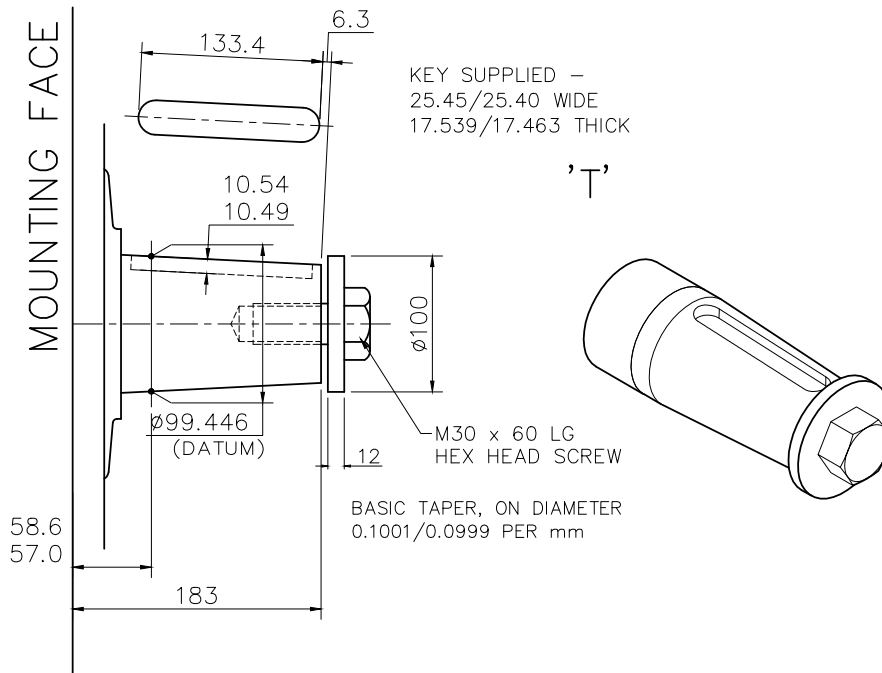
SPLINE DATA

'S'	
TO BS 3550 (ANSI B92.1, CLASS 5)	
FLAT ROOT SIDE FIT, CLASS 1	
PRESSURE ANGLE	30°
NUMBER OF TEETH	20
PITCH	6/12
MAJOR DIAMETER	87.953/87.825
FORM DIAMETER	80.264
MINOR DIAMETER	79.485/78.925
PIN DIAMETER	8.128
DIAMETER OVER PINS	97.084/97.030

'Z'	
DIN 5480 W90 x 4 x 21 x 7h	

3-4 HPC270 Installation (cont)

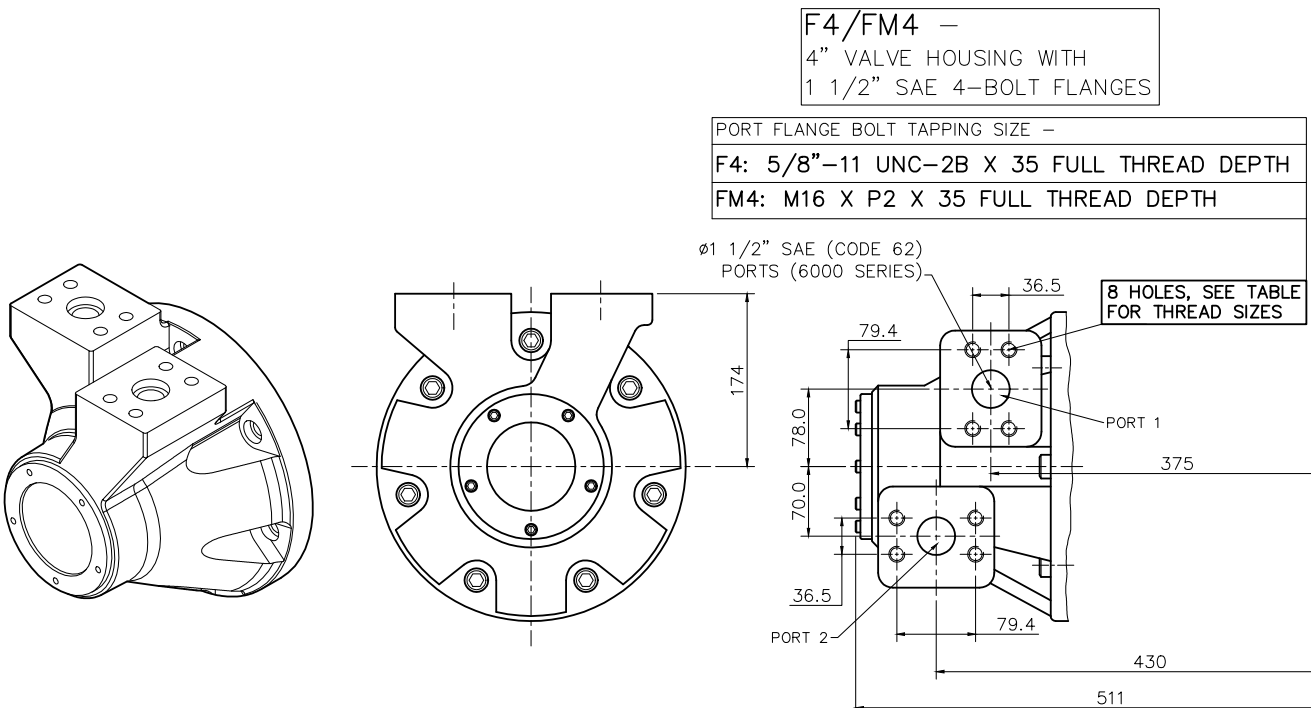
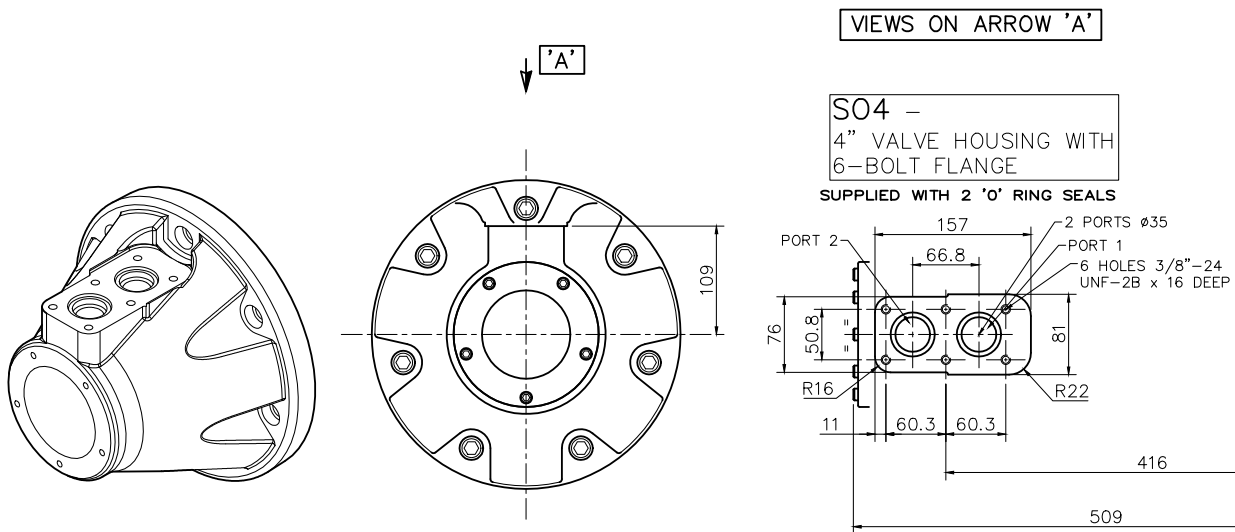
◆ 3-4-2 HPC270 - 'T' Shaft



3-4 HPC270 Installation (cont)

◆ 3-4-3 HPC270 - 'S04', 'F4' & 'FM4' Valve Housings

MOUNTING FACE

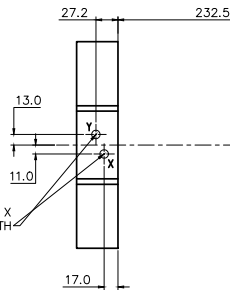


3-4 HPC270 Installation (cont)

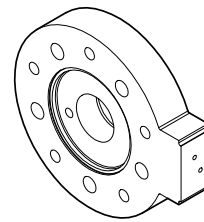
◆ 3-4-4 HPC270 - 'C', 'CS' & 'X' C Spacers

DISPLACEMENT SELECTION (VIA REMOTELY LOCATED VALVE*)
 HIGH DISPLACEMENT: P TO Y; X TO T
 LOW DISPLACEMENT: P TO X; Y TO T
 *DISPLACEMENT SELECTOR VALVE IS NOT SUPPLIED WITH MOTOR; SPECIFY & ORDER SEPARATELY

2 PORTS G1/4" (BSPF) X 15 FULL THREAD DEPTH



TYPE X
DISPLACEMENT CONTROL



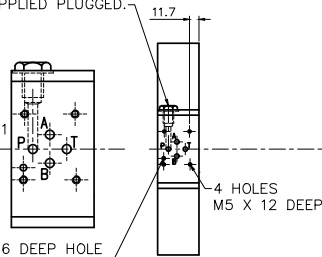
MOUNTING INTERFACE FOR DIRECTIONAL CONTROL VALVE* TO: ISO 4401 SIZE O3/ANSI B93.7M SIZE D03
 *DISPLACEMENT SELECTOR VALVE IS NOT SUPPLIED WITH MOTOR; SPECIFY & ORDER SEPARATELY

CONNECTION TO P PORT
 G1/4" (BSPF) X 15 FULL THREAD DEPTH, SUPPLIED PLUGGED.

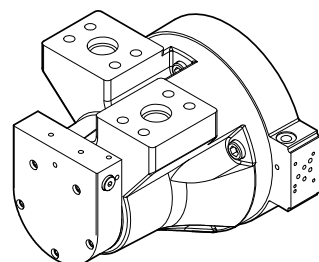
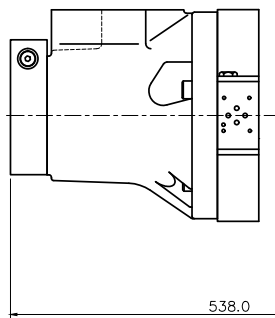
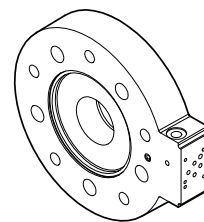
DISPLACEMENT SELECTION:
 HIGH DISPLACEMENT: P TO B; A TO T
 LOW DISPLACEMENT: P TO A; B TO T

DETAIL SCALE 2:1

Ø4.0 X 6 DEEP HOLE FOR ORIENTATION PIN



TYPES C, CS & C1
DISPLACEMENT CONTROL



CS TYPE SHUTTLE
 ENDCAP ON F4 & FM4
 ASSEMBLIES ONLY

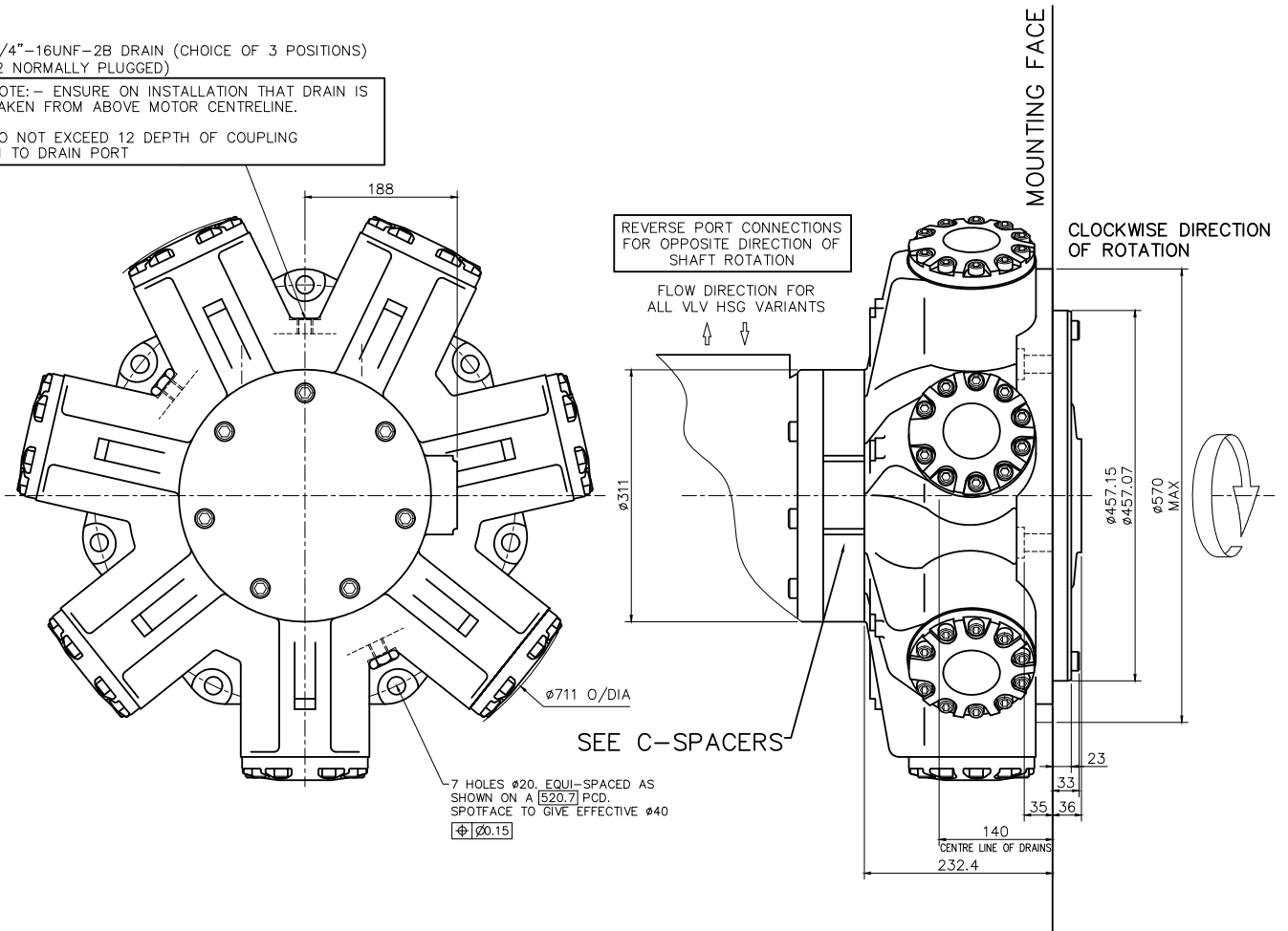
3-4 HPC270 Installation (cont)

◆ 3-4-5 HPC270 - Installation

3/4"-16UNF-2B DRAIN (CHOICE OF 3 POSITIONS)
(2 NORMALLY PLUGGED)

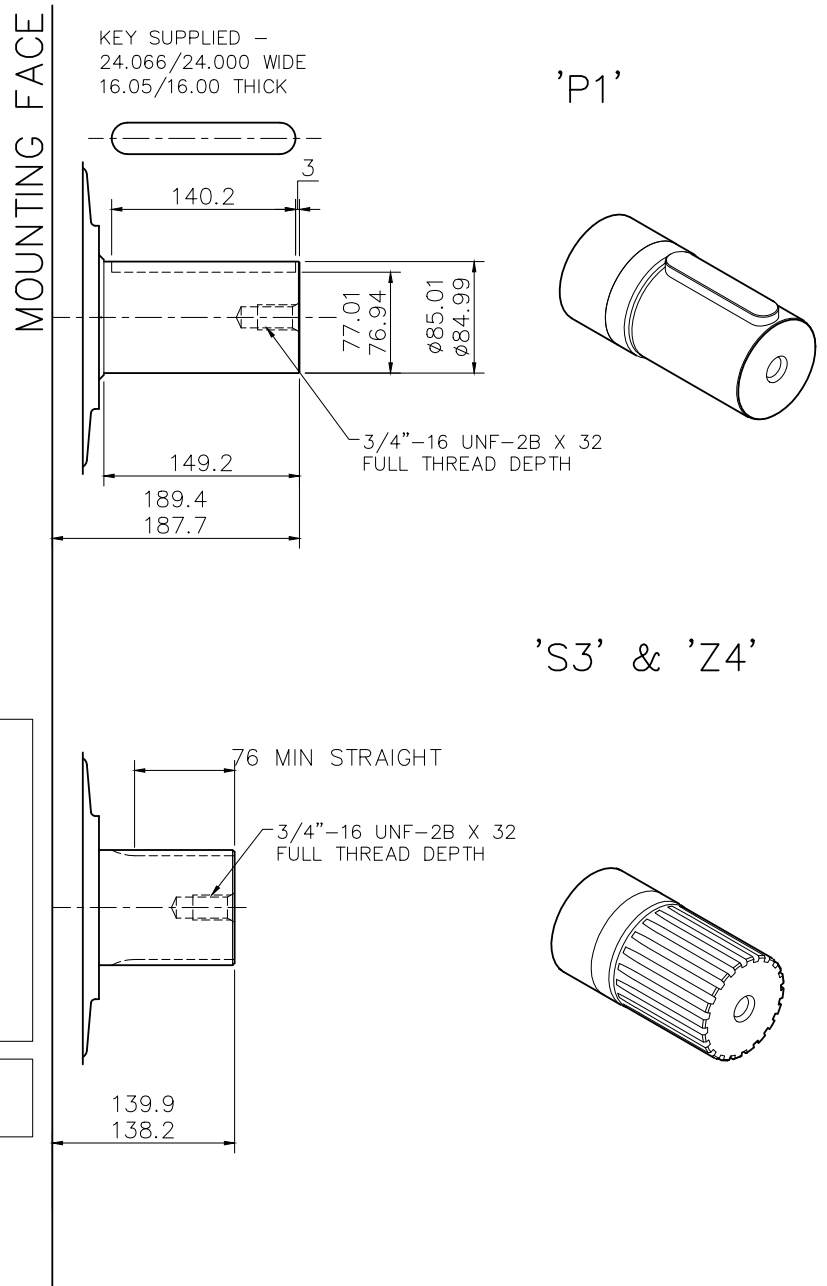
NOTE: - ENSURE ON INSTALLATION THAT DRAIN IS
TAKEN FROM ABOVE MOTOR CENTRELINE.

DO NOT EXCEED 12 DEPTH OF COUPLING
IN TO DRAIN PORT



3-5 HPC325 Installation

◆ 3-5-1 HPC325 - 'P1', 'S3' & 'Z4' Shafts



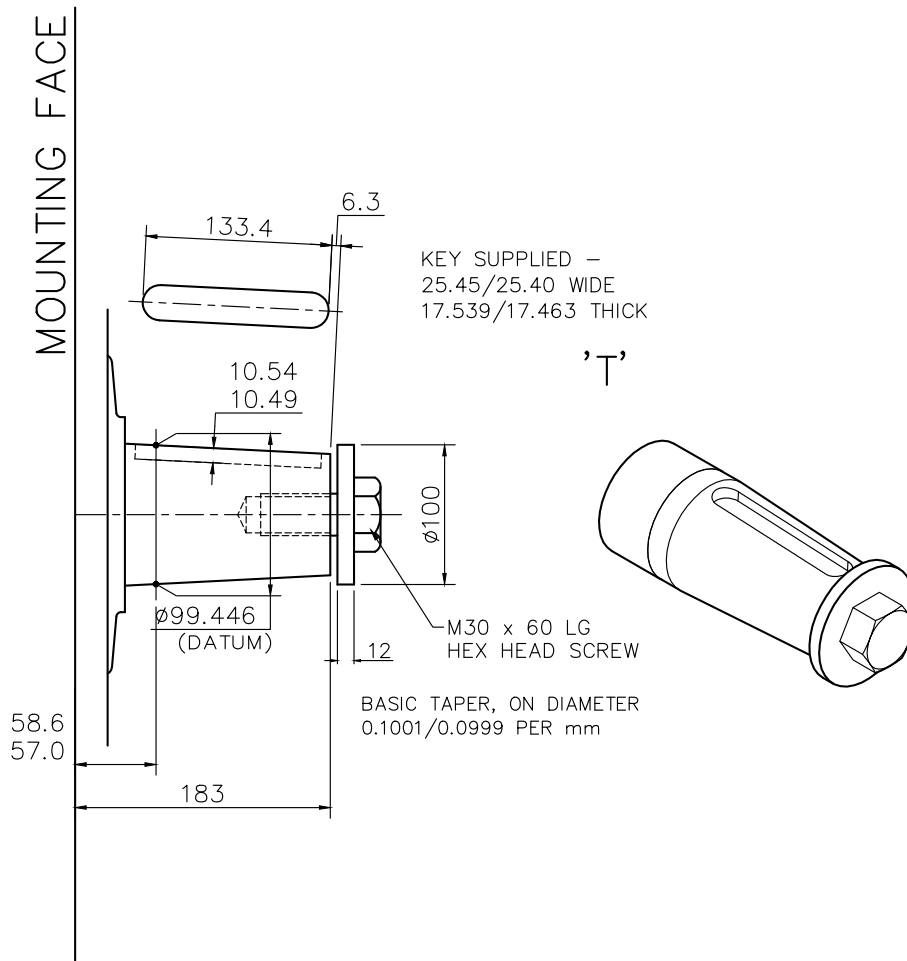
SPLINE DATA

'S'	
TO BS 3550 (ANSI B92.1, CLASS 5)	
FLAT ROOT SIDE FIT, CLASS 1	
PRESSURE ANGLE	30°
NUMBER OF TEETH	20
PITCH	6/12
MAJOR DIAMETER	87.953/87.825
FORM DIAMETER	80.264
MINOR DIAMETER	79.485/78.925
PIN DIAMETER	8.128
DIAMETER OVER PINS	97.084/97.030

'Z'	
DIN 5480 W90 x 4 x 21 x 7h	

3-5 HPC325 Installation (cont)

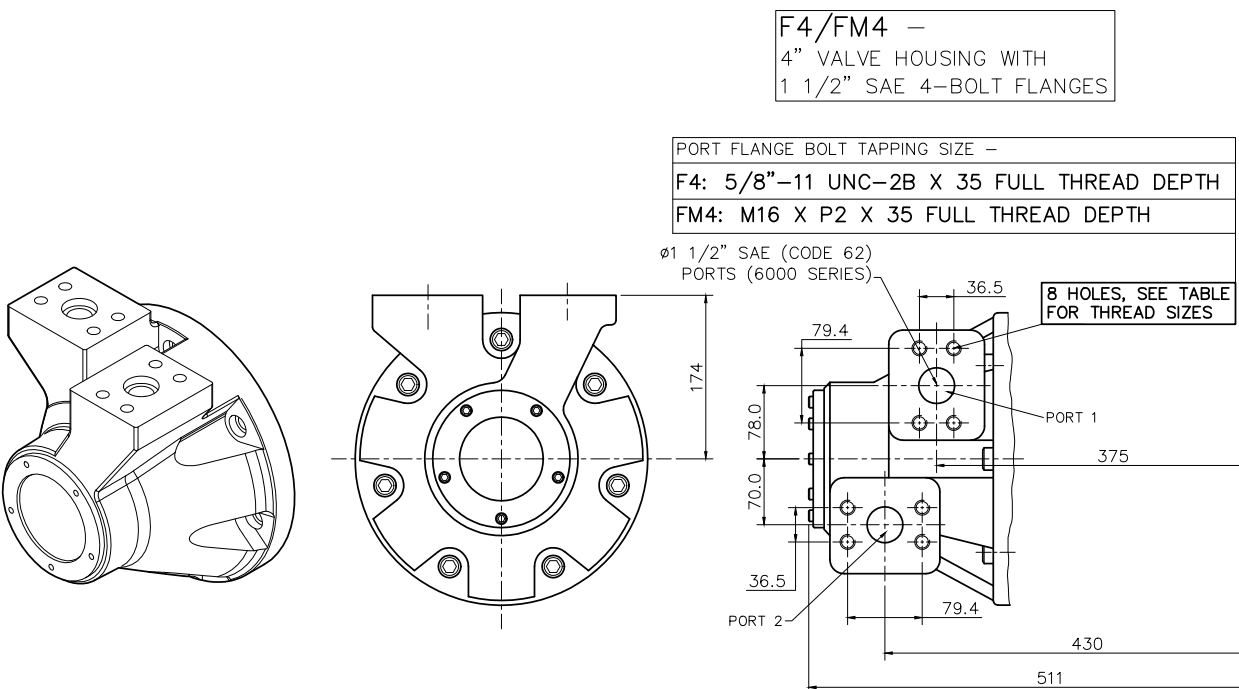
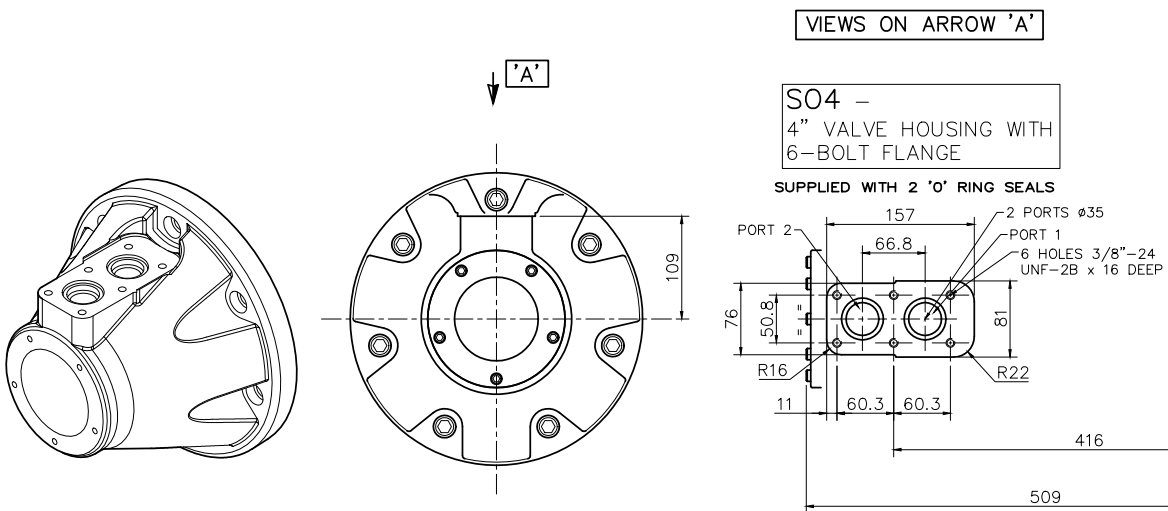
◆ 3-5-2 HPC325 - 'T' Shaft



3-5 HPC325 Installation (cont)

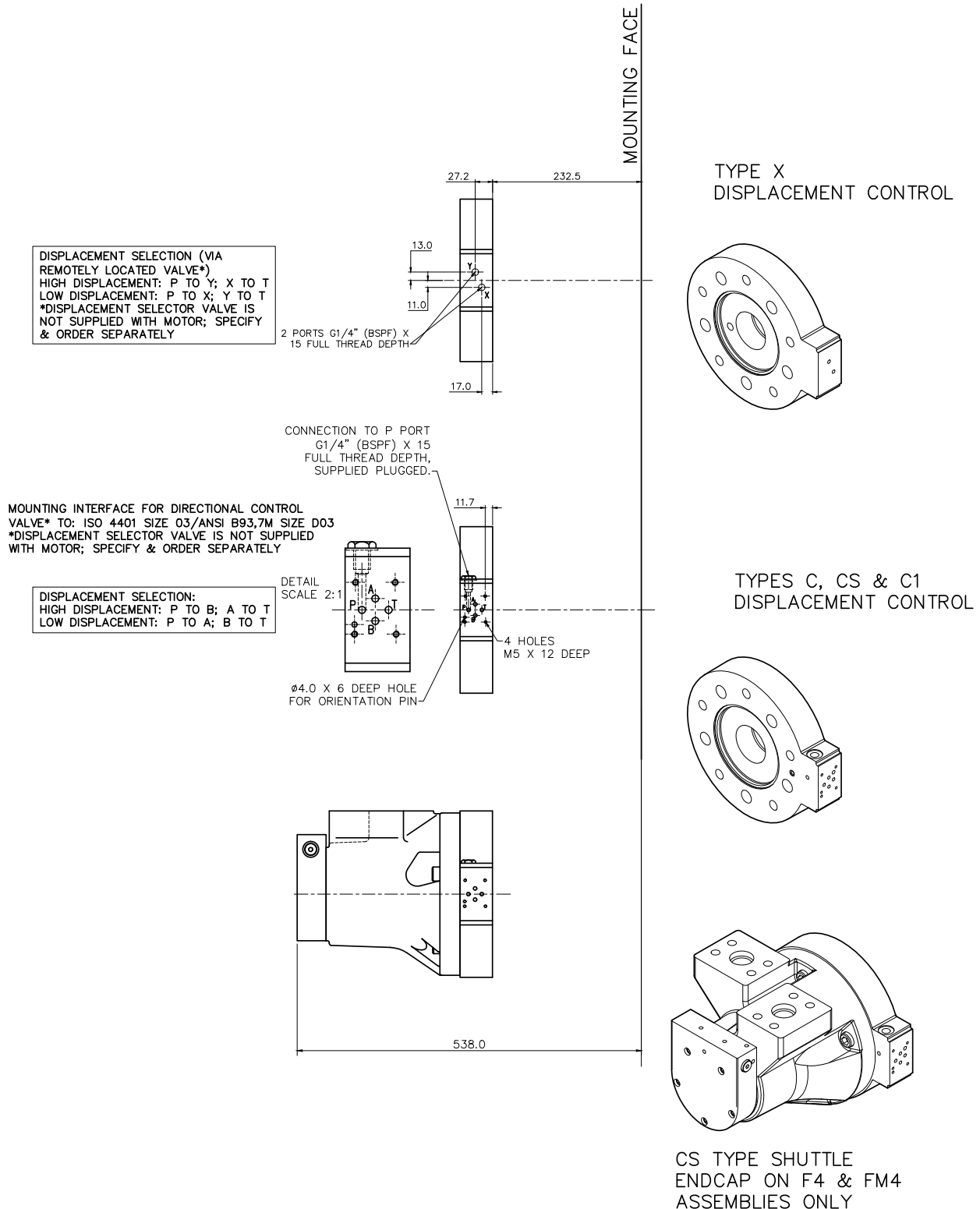
◆ 3-5-3 HPC325 - 'S04', 'F4' & 'FM4' Valve Housings

MOUNTING FACE



3-5 HPC325 Installation (cont)

◆ 3-5-4 HPC325 - 'C', 'CS' & 'X' C Spacers



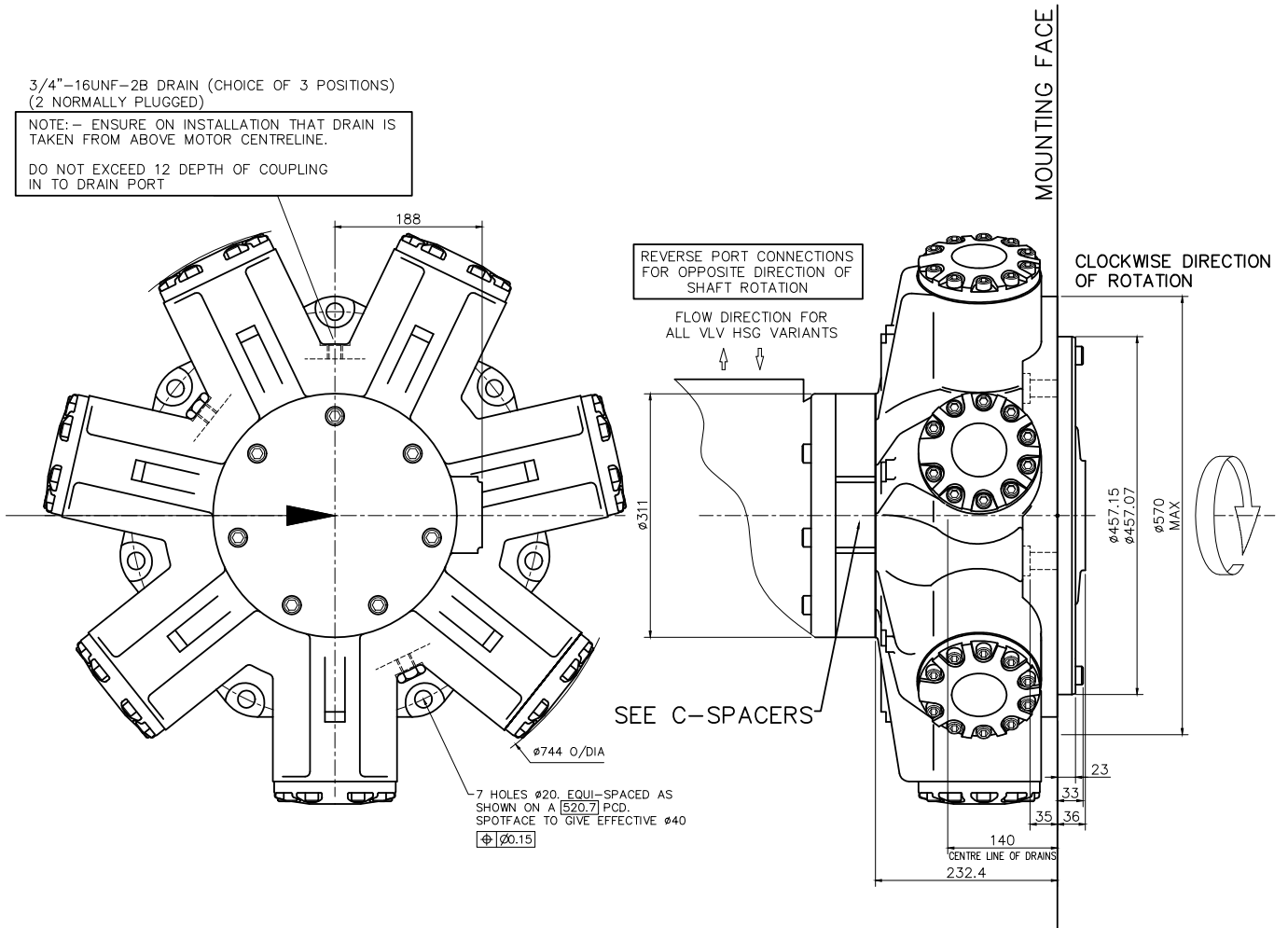
3-5 HPC325 Installation (cont)

◆ 3-5-5 HPC325 - Installation

3/4"-16UNF-2B DRAIN (CHOICE OF 3 POSITIONS)
(2 NORMALLY PLUGGED)

NOTE: - ENSURE ON INSTALLATION THAT DRAIN IS
TAKEN FROM ABOVE MOTOR CENTRELINE.

DO NOT EXCEED 12 DEPTH OF COUPLING
IN TO DRAIN PORT



3-6 Speed Sensing Options

◆ Tj speed sensor with Tk readout option

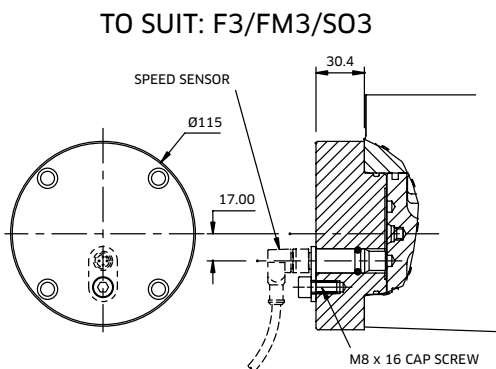
Tj Speed Sensor Technical Specification

The Tj speed sensor is a hall effect dual channel speed probe that can provide feedback of both speed and direction.

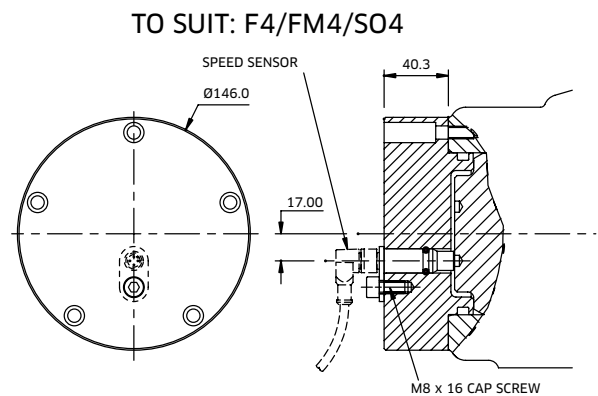
- Signal Outputs: Square wave plus directional signal
- Power Supply: 8 to 32 V @ 40 mA
- Protection class: IP68
- Output frequency: 16 pulses/revolution



Installation Details



'Tj'

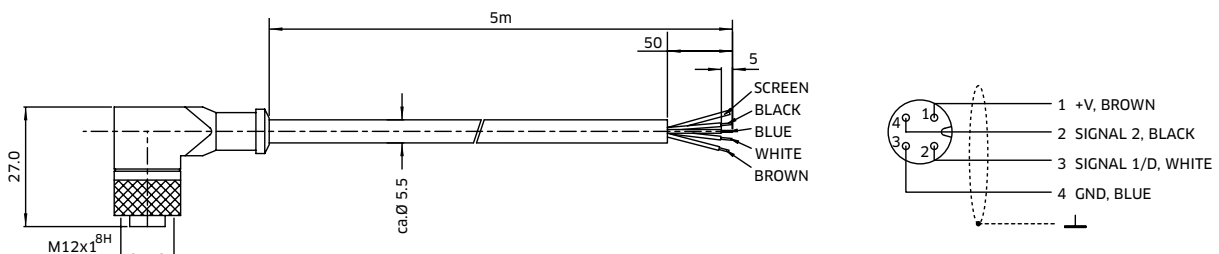


Tk Output Module

The Tk option consists of the Tj speed sensor together with the optional T401 output module.

The addition of the T401 module provides a software configured single channel tachometer and relay with a 0/4-20 mA analogue current output.

The software and calibration cable is also provided.



NOTES

NOTES

**KAWASAKI PRECISION
MACHINERY (UK) LTD**

Ernesettle, Plymouth
Devon, PL5 2SA, England

Tel: +44 1752 364394

Fax: +44 1752 364816

Mail: info@kpm-uk.co.uk

Website: www.kpm-eu.com

OTHER GLOBAL SALES OFFICES

JAPAN

Kawasaki Heavy Industry Ltd, Precision Machinery Ltd.
Tokyo Office World Trade Center Bidg.

4-1 Hamamatsu-cho

2-chome, Minato-ku

Tokyo 105-6116

Japan

Tel: +81-3-3435-6862

Website: www.khi.co.jp/kpm

U.S.A

Kawasaki Precision Machinery (U.S.A.), Inc.

3838 Broadmoor Avenue S.E.

Grand Rapids

Michigan 49512

U.S.A.

Tel: +1-616-949-6500

Website: www.kpm-usa.com

CHINA

Kawasaki Precision Machinery Trading (Shanghai) Co., Ltd.

17th Floor (Room 1701), The Headquarters Building

No168 XiZang Road (M)

Huangpu District

Shanghai 200001

China

Tel: +86-021-3366-3800

KOREA

Flutek, Ltd.

192-11, Shinchon-dong

Changwon

Kyungnam 641-370

Korea

Tel: +82-55-286-5551

Website: www.flutek.co.kr

**The specified data is for product description purposes only
and may not be deemed to be guaranteed unless expressly
confirmed in the contract.**